

OIML Weights



OIML Weights

from METTLER TOLEDO

E1-M3

1 mg-2000 kg

The Right Choice for Quality
in Laboratory and Industrial Environments

METTLER TOLEDO

OIML Weights

We value top quality in every respect just as highly as you do. That's why METTLER TOLEDO offers OIML weights and calibration weights up to the highest class of accuracy that perfectly meet the requirements of quality management systems in laboratories of all industries. Including certification, service, consultancy, accessories, and technical literature.



Calibration of balances or scales

METTLER TOLEDO Weights are ideal for the calibration, verification and routine test of balances in laboratory, industrial and production environments.



Calibration of other weights

Due to their high quality, the METTLER TOLEDO Weights are ideal as primary mass standards to calibrate other weights of lower class of accuracy.



Fulfil OIML R111-1

METTLER TOLEDO Weights fulfil OIML (Organisation Internationale de Metrologie Légale, Paris) R111-1:2004 Recommendation.

Calibration certificate

METTLER TOLEDO Weights are delivered on request with an internationally recognized calibration certificate. With this certificate, weights are traceable to the International Kilogram Prototype and can be integrated into Quality Assurance Systems.



www.mt.com/weights

METTLER TOLEDO Weights are available on the internet for online shopping.





OIML Weights

Premium Line E1, E2, F1

Quality

Excellent quality thanks to premium stainless steel melted under vacuum, which ensures no faults, no porosity, a better polish ability and long-term stability. Automated state of the art electro-polishing and ultra-sonic cleaning process. Perfect accuracy derived from the best METTLER TOLEDO Mass Comparators worldwide and strictly controlled temperature, pressure and humidity in our laboratories. Production according to ISO 9001 and 14001.

Monobloc

Made from a single piece (monobloc), which ensures a uniform density and guarantees the smallest uncertainties of density.

Optimal protection

Delivered either in a premium wooden box, which ensures high protection against contamination, dust, rough handling and temperature change or in an FDA-conform plastic box cleanable with alcohol.

Availability

Available from 1 mg up to 50 kg.

Wire weights 1 mg - 500 mg. Knob weights 1 g - 50 kg.

OIML Weights

Basic Line F1AC, F2AC, M1AC

Weights with Adjusting Cavity (AC)

Made of stainless steel with an adjusting cavity (AC). They are filled with stainless steel and contain no lead or other materials that could be harmful to the environment. Production according to ISO 9001 and ISO 14001.

Availability

Available from 1 mg up to 20 Kg. Sheet weights 1 mg - 500 mg. Knob weight 1 g - 20 kg.

Optimal protection

All weights are delivered in a durable shock-resistant box. FDA-conform plastic box cleanable with alcohol.

Competitive prices

OIML Weights Basic Line are designed with METTLER TOLEDO'S s know-how to supply the best value proposition worldwide.

OIML Weights - Premium Line

Single Weights With Wooden Box



1 mg - 500 mg: wire weight



1 g - 50 kg: knob weight



E1

Nominal Value	Weight & Box	Weight & Box & Certificate
1 mg	00159000	00159001
2 mg	00159010	00159011
5 mg	00159020	00159021
10 mg	00159030	00159031
20 mg	00159040	00159041
50 mg	00159050	00159051
100 mg	00159060	00159061
200 mg	00159070	00159071
500 mg	00159080	00159081
1 g	00159090	00159091
2 g	00159100	00159101
5 g	00159110	00159111
10 g	00159120	00159121
20 g	00159130	00159131
50 g	00159140	00159141
100 g	00159150	00159151
200 g	00159160	00159161
500 g	00159170	00159171
1 kg	00159180	00159181
2 kg	00159190	00159191
5 kg	00159200	00159201
10 kg	00159210	00159211
20 kg	00159220	00159221
50 kg	00159230	00159231

E2

Nominal Value	Weight & Box	Weight & Box & Certificate
1 mg	00158300	00158301
2 mg	00158310	00158311
5 mg	00158320	00158321
10 mg	00158330	00158331
20 mg	00158340	00158341
50 mg	00158350	00158351
100 mg	00158360	00158361
200 mg	00158370	00158371
500 mg	00158380	00158381
1 g	00158390	00158391
2 g	00158400	00158401
5 g	00158410	00158411
10 g	00158420	00158421
20 g	00158430	00158431
50 g	00158440	00158441
100 g	00158450	00158451
200 g	00158460	00158461
500 g	00158470	00158471
1 kg	00158480	00158481
2 kg	00158490	00158491
5 kg	00158500	00158501
10 kg	00158510	00158511
20 kg	00158520	00158521
50 kg	00158530	00158531

F1

Nominal Value	Weight & Box	Weight & Box & Certificate
1 mg	00159410	00159411
2 mg	00159420	00159421
5 mg	00159430	00159431
10 mg	00159440	00159441
20 mg	00159450	00159451
50 mg	00159460	00159461
100 mg	00159470	00159471
200 mg	00159480	00159481
500 mg	00159490	00159491
1 g	00158600	00158601
2 g	00158610	00158611
5 g	00158620	00158621
10 g	00158630	00158631
20 g	00158640	00158641
50 g	00158650	00158651
100 g	00158660	00158661
200 g	00158670	00158671
500 g	00158680	00158681
1 kg	00158690	00158691
2 kg	00158700	00158701
5 kg	00158710	00158711
10 kg	00158720	00158721
20 kg	00158730	00158731
50 kg	00158740	00158741



Properties

- Knob weight & wire weight
- Premium Stainless steel
- Density: 8.0 kg/dm³
- Magnetic susceptibility <0.01
- Monobloc

Shape

1 mg - 500 mg: wire weight
1 g - 50 kg: knob weight

Calibration Certificate

SCS Calibration Certificate recognized worldwide (EA multilateral agreement SCS equal to DKD, COFRAC; UKAS; SIT...

Box

Wooden box resin free wood, felt lined

Weight sets

The second weight is marked to make it clearly distinguishable.



OIML Weights - Premium Line

Weight Sets With Wooden Box

E1

Nominal Value	1mg - 500mg	1mg - 200g	1mg - 1kg	1mg - 2kg	1mg - 5kg	1g - 50g	1g - 500g	1g - 1kg (2x)
1 mg	•	•	•	•	•			••
2 mg	••	••	••	••	••			••
5 mg	•	•	•	•	•			••
10 mg	•	•	•	•	•			••
20 mg	••	••	••	••	••			••
50 mg	•	•	•	•	•			••
100 mg	•	•	•	•	•			••
200 mg	••	••	••	••	••			••
500 mg	•	•	•	•	•			••
1 g		•	•	•	•	•	•	••
2 g		••	••	••	••	••	••	••
5 g		•	•	•	•	•	•	••
10 g		•	•	•	•	•	•	••
20 g		••	••	••	••	••	••	••
50 g		•	•	•	•	•	•	••
100 g		•	•	•	•	•	•	••
200 g		••	••	••	••	••	••	••
500 g		•	•	•	•	•	•	••
1 kg			•	•	•			••
2 kg				••	••			
5 kg					•			
set	00158900	00158940	00158950	11117614	11117616	00158910	00158920	00158960
set & certificate	00158901	00158941	00158951	11117615	11117617	00158911	00158921	00158961
Number of weights	12	23	25	27	28	8	12	38
contents (g)	1.11	611.11	21111.11	61111.11	111111.11	110	1111.11	1177.77

E2

Nominal Value	1mg - 500mg	1mg - 200g	1mg - 1kg	1mg - 2kg	1mg - 5kg	1g - 50g	1g - 500g	1g - 1kg (2x)
1 mg	•	•	•	•	•			••
2 mg	••	••	••	••	••			••
5 mg	•	•	•	•	•			••
10 mg	•	•	•	•	•			••
20 mg	••	••	••	••	••			••
50 mg	•	•	•	•	•			••
100 mg	•	•	•	•	•			••
200 mg	••	••	••	••	••			••
500 mg	•	•	•	•	•			••
1 g		•	•	•	•	•	•	••
2 g		••	••	••	••	••	••	••
5 g		•	•	•	•	•	•	••
10 g		•	•	•	•	•	•	••
20 g		••	••	••	••	••	••	••
50 g		•	•	•	•	•	•	••
100 g		•	•	•	•	•	•	••
200 g		••	••	••	••	••	••	••
500 g		•	•	•	•	•	•	••
1 kg			•	•	•			••
2 kg				••	••			
5 kg					•			
set	00158900	00158940	00158950	11117624	11117626	00158910	00158920	00158960
set & certificate	00158901	00158941	00158951	11117625	11117627	00158911	00158921	00158961
Number of weights	12	23	25	27	28	8	12	38
contents	1.11	611.11	21111.11	61111.11	111111.11	110	1111.11	1177.77

F1

Nominal Value	1mg - 500mg	1mg - 200g	1mg - 1kg	1mg - 2kg	1mg - 5kg	1g - 50g	1g - 500g
1 mg	•	•	•	•	•		
2 mg	••	••	••	••	••		
5 mg	•	•	•	•	•		
10 mg	•	•	•	•	•		
20 mg	••	••	••	••	••		
50 mg	•	•	•	•	•		
100 mg	•	•	•	•	•		
200 mg	••	••	••	••	••		
500 mg	•	•	•	•	•		
1 g		•	•	•	•	•	•
2 g		••	••	••	••	••	••
5 g		•	•	•	•	•	•
10 g		•	•	•	•	•	•
20 g		••	••	••	••	••	••
50 g		•	•	•	•	•	•
100 g		•	•	•	•	•	•
200 g		••	••	••	••	••	••
500 g		•	•	•	•	•	•
1 kg			•	•	•		
2 kg				••	••		
5 kg					•		
set	00161700	00158900	00158910	11117802	11117804	00158870	00158880
set & certificate	00161701	00158901	00158911	11117803	11117805	00158871	00158881
Number of weights	12	23	25	27	28	8	12
contents	1.11	611.11	21111.11	61111.11	111111.11	110	1111.11

All weight sets delivered with tweezers.

OIML Weights - Premium Line

Single Weights With Plastic Box



1 mg - 500 mg: wire weight



1 g - 20 kg: knob weight



E2

Nominal Value	Weight & Box	Weight & Box & Certificate
1 mg	00158306	00158307
2 mg	00158316	00158317
5 mg	00158326	00158327
10 mg	00158336	00158337
20 mg	00158346	00158347
50 mg	00158356	00158357
100 mg	00158366	00158367
200 mg	00158376	00158377
500 mg	00158386	00158387
1 g	00158396	00158397
2 g	00158406	00158407
5 g	00158416	00158417
10 g	00158426	00158427
20 g	00158436	00158437
50 g	00158446	00158447
100 g	00158456	00158457
200 g	00158466	00158467
500 g	00158476	00158477
1 kg	00158486	00158487
2 kg	00158496	00158497
5 kg	00158506	00158507
10 kg	00158516	00158517
20 kg	00158526	00158527

F1

Nominal Value	Weight & Box	Weight & Box & Certificate
1 mg	00159416	00159417
2 mg	00159426	00159427
5 mg	00159436	00159437
10 mg	00159446	00159447
20 mg	00159456	00159457
50 mg	00159466	00159467
100 mg	00159476	00159477
200 mg	00159486	00159487
500 mg	00159496	00159497
1 g	00158606	00158607
2 g	00158616	00158617
5 g	00158626	00158627
10 g	00158636	00158637
20 g	00158646	00158647
50 g	00158656	00158657
100 g	00158666	00158667
200 g	00158676	00158677
500 g	00158686	00158687
1 kg	00158696	00158697
2 kg	00158706	00158707
5 kg	00158716	00158717
10 kg	00158726	00158727
20 kg	00158736	00158737

Properties	Shape	Calibration Certificate	Box
<ul style="list-style-type: none"> - Knob weight & wire weight - Premium Stainless steel - Density: 8.0 kg/dm³ - Magnetic susceptibility <0.01 - Monobloc 	<p>1 mg - 500 mg: wire weight</p> <p>1 g - 20 kg: knob weight</p>	<p>SCS Calibration Certificate recognized worldwide (EA multilateral agreement SCS equal to DKD, COFRAC; UKAS; SIT...</p>	<p>Plastic box, easy cleaning (GLP, GMP, SOP), FDA conform</p>

Weight sets

The second weight is marked to make it clearly distinguishable.



OIML Weights - Premium Line

Weight Sets With Plastic Box

E2

Nominal Value	1mg - 500mg	1mg - 200g	1mg - 1kg	1mg - 2kg	1mg - 5kg	1g - 50g	1g - 500g
1 mg	•	•	•	•	•		
2 mg	••	••	••	••	••		
5 mg	•	•	•	•	•		
10 mg	•	•	•	•	•		
20 mg	••	••	••	••	••		
50 mg	•	•	•	•	•		
100 mg	•	•	•	•	•		
200 mg	••	••	••	••	••		
500 mg	•	•	•	•	•		
1 g		•	•	•	•	•	•
2 g		••	••	••	••	••	••
5 g		•	•	•	•	•	•
10 g		•	•	•	•	•	•
20 g		••	••	••	••	••	••
50 g		•	•	•	•	•	•
100 g		•	•	•	•	•	•
200 g		••	••	••	••	••	••
500 g			•	•	•	•	•
1 kg			•	•	•		
2 kg				••	••		
5 kg					•		
set	00158806	00158846	00158856	11117321	11117323	00158816	00158826
set & certificate	00158807	00158847	00158857	11117322	11117324	00158817	00158827
Number of weights	12	23	25	27	28	8	12
contents	1.11	611.11	21111.11	61111.11	111111.11	110	1111.11

F1

Nominal Value	1mg - 500mg	1mg - 200g	1mg - 1kg	1mg - 2kg	1mg - 5kg	1g - 50g	1g - 500g
1 mg	•	•	•	•	•		
2 mg	••	••	••	••	••		
5 mg	•	•	•	•	•		
10 mg	•	•	•	•	•		
20 mg	••	••	••	••	••		
50 mg	•	•	•	•	•		
100 mg	•	•	•	•	•		
200 mg	••	••	••	••	••		
500 mg	•	•	•	•	•		
1 g		•	•	•	•	•	•
2 g		••	••	••	••	••	••
5 g		•	•	•	•	•	•
10 g		•	•	•	•	•	•
20 g		••	••	••	••	••	••
50 g		•	•	•	•	•	•
100 g		•	•	•	•	•	•
200 g		••	••	••	••	••	••
500 g			•	•	•	•	•
1 kg			•	•	•		
2 kg				••	••		
5 kg					•		
set	00161706	00158906	00158916	11119979	11119981	00158876	00158886
set & certificate	00161707	00158907	00158917	11119980	11119982	00158877	00158887
Number of weights	12	23	25	27	28	8	12
contents	1.11	611.11	21111.11	61111.11	111111.11	110	1111.11

All weight sets delivered with tweezers.

OIML Weights - Basic Line

Single Weights With Plastic Box



1 mg - 500 mg: sheet weight



1 g - 20 kg: knob weight



F1AC

Nominal Value	Weight & Box	Weight & Box & Certificate
1 mg	11119491	11119561
2 mg	11119492	11119562
5 mg	11119493	11119563
10 mg	11119494	11119564
20 mg	11119495	11119565
50 mg	11119496	11119566
100 mg	11119497	11119567
200 mg	11119498	11119568
500 mg	11119499	11119569
1 g	11119455	11119525
2 g	11119456	11119526
5 g	11119457	11119527
10 g	11119458	11119528
20 g	11119459	11119529
50 g	11119460	11119530
100 g	11119461	11119531
200 g	11119462	11119532
500 g	11119463	11119533
1 kg	11119464	11119534
2 kg	11119465	11119535
5 kg	11119466	11119536
10 kg	11119467	11119537
20kg	11119468	11119538

F2AC

Nominal Value	Weight & Box	Weight & Box & Certificate
1 mg	11119079	11118271
2 mg	11119080	11118272
5 mg	11119081	11118273
10 mg	11119082	11118274
20 mg	11119083	11118275
50 mg	11119084	11118276
100 mg	11119085	11118285
200 mg	11119086	11118286
500 mg	11119087	11118287
1 g	11119042	11118191
2 g	11119043	11118192
5 g	11119044	11118193
10 g	11119045	11118194
20 g	11119046	11118195
50 g	11119047	11118196
100 g	11119048	11118201
200 g	11119049	11118202
500 g	11119050	11118203
1 kg	11119051	11118204
2 kg	11119052	11118205
5 kg	11119053	11118206
10 kg	11119054	11118211
20kg	11119055	11118212

M1AC

Nominal Value	Weight & Box	Weight & Box & Certificate
1 mg	11117935	11117751
2 mg	11117936	11117752
5 mg	11117937	11117753
10 mg	11117938	11117754
20 mg	11117939	11117755
50 mg	11117940	11117756
100 mg	11117941	11117757
200 mg	11117942	11117758
500 mg	11117943	11117759
1 g	11118055	11117711
2 g	11118056	11117712
5 g	11118057	11117713
10 g	11118058	11117714
20 g	11118059	11117715
50 g	11118060	11117716
100 g	11118061	11117717
200 g	11118062	11117718
500 g	11118063	11117719
1 kg	11118064	11117721
2 kg	11118065	11117722
5 kg	11118066	11117723
10 kg	11118067	11117724
20kg	11118068	11117725



Properties

- Knob weight & sheet weight
- Stainless steel
- Density: 7.9 kg/dm³
- Non magnetic
- Adjusting cavity:
F1AC/F2AC 10 g-20 kg
M1AC 100 g-20 kg

Shape

1 mg - 500 mg: sheet weight

1 g - 20 kg: knob weight

Calibration Certificate

SCS Calibration Certificate recognized worldwide (EA multilateral agreement SCS equal to DKD, COFRAC; UKAS; SIT...

Box

Plastic box, easy cleaning (GLP, GMP, SOP), FDA conform



OIML Weights - Basic Line

Weight Sets With Plastic Box

F1AC

Nominal Value	1mg - 500mg	1mg - 200g	1mg - 1kg	1mg - 2kg	1mg - 5kg	1g - 50g	1g - 500g
1 mg	•	•	•	•	•		
2 mg	••	••	••	••	••		
5 mg	•	•	•	•	•		
10 mg	•	•	•	•	•		
20 mg	••	••	••	••	••		
50 mg	•	•	•	•	•		
100 mg	•	•	•	•	•		
200 mg	••	••	••	••	••		
500 mg	•	•	•	•	•		
1 g		••	••	••	••	•	•
2 g		••	••	••	••	••	••
5 g		•	•	•	•	•	•
10 g		••	••	••	••	•	•
20 g		••	••	••	••	••	••
50 g		•	•	•	•	•	•
100 g		•	•	•	•	•	•
200 g		••	••	••	••	••	••
500 g		•	•	•	•	•	•
1 kg			•	•	•		
2 kg			••	••	••		
5 kg				•	•		
set	11119511	11119512	11119513	11119514	11119515	11119516	11119517
set & certificate	11119581	11119582	11119583	11119584	11119585	11119586	11119587
Number of weights	12	23	25	27	28	8	12
contents (g)	1.11	611.11	21111.11	61111.11	111111.11	110	1111.11

F2AC

Nominal Value	1mg - 500mg	1mg - 200g	1mg - 1kg	1mg - 2kg	1mg - 5kg	1g - 50g	1g - 500g
1 mg	•	•	•	•	•		
2 mg	••	••	••	••	••		
5 mg	•	•	•	•	•		
10 mg	•	•	•	•	•		
20 mg	••	••	••	••	••		
50 mg	•	•	•	•	•		
100 mg	•	•	•	•	•		
200 mg	••	••	••	••	••		
500 mg	•	•	•	•	•		
1 g		••	••	••	••	•	•
2 g		••	••	••	••	••	••
5 g		•	•	•	•	•	•
10 g		••	••	••	••	•	•
20 g		••	••	••	••	••	••
50 g		•	•	•	•	•	•
100 g		•	•	•	•	•	•
200 g		••	••	••	••	••	••
500 g		•	•	•	•	•	•
1 kg			•	•	•		
2 kg			•	•	•		
5 kg				••	••		
set	11118456	11118457	11118458	11118459	11118460	11118461	11118462
set & certificate	11118339	11118340	11118341	11118342	11118343	11118344	11118345
Number of weights	12	23	25	27	28	8	12
contents (g)	1.11	611.11	21111.11	61111.11	111111.11	110	1111.11

M1AC

Nominal Value	1mg - 500mg	1mg - 200g	1mg - 1kg	1mg - 2kg	1mg - 5kg	1g - 50g	1g - 500g
1 mg	•	•	•	•	•		
2 mg	••	••	••	••	••		
5 mg	•	•	•	•	•		
10 mg	•	•	•	•	•		
20 mg	••	••	••	••	••		
50 mg	•	•	•	•	•		
100 mg	•	•	•	•	•		
200 mg	••	••	••	••	••		
500 mg	•	•	•	•	•		
1 g		••	••	••	••	•	•
2 g		••	••	••	••	••	••
5 g		•	•	•	•	•	•
10 g		••	••	••	••	•	•
20 g		••	••	••	••	••	••
50 g		•	•	•	•	•	•
100 g		•	•	•	•	•	•
200 g		••	••	••	••	••	••
500 g		•	•	•	•	•	•
1 kg			•	•	•		
2 kg			•	•	•		
5 kg				••	••		
set	11117862	11117863	11117864	11117865	11117866	11117867	11117868
set & certificate	11117771	11117772	11117773	11117774	11117775	11117776	11117777
Number of weights	12	23	25	27	28	8	12
contents (g)	1.11	611.11	21111.11	61111.11	111111.11	110	1111.11

All weight sets delivered with tweezers.

OIML Weights - Special Weights

Stainless Steel, Stackable Weights



F2AC

Nominal Value	Weight only	Weight & Certificate
5 kg	11116650	11116656
10 kg	11116651	11116657
20kg	11116652	11116658
50kg	11116653	11116659
40kg weight carrier	11116654	11116660

M1AC

Nominal Value	Weight only	Weight & Certificate
5 kg	11116600	11116601
10 kg	11116610	11116611
20kg	11116620	11116621
50kg	11116630	11116631
40kg weight carrier	11116640	11116641

Properties

- Stainless steel
- Density: 8.0 kg/dm³
- Non magnetic
- Stackable

Weight diameter

5, 10, 20 kg : 137 mm
50 kg : 200 mm

Weight carrier dimensions

(L x W x D)
720 x 275 x 330 mm



Calibration certificate

SCS Calibration Certificate recognized worldwide (EA multilateral agreement SCS equal to DKD, COFRAC; UKAS; SIT)

Application

The weights can be easily stacked for the calibration of high-load balances.

Weight carrier is available for easy and fast calibration up to 200 kg. Weight carrier can accommodate 8 pieces 20 kg, 10 kg or 5 kg.

Special weight sets



Weight set for comparator balance AX1006, for determination of the first weight decade 1 kg to 100 g, comprising 2 x 200 g and 1x100 g disk weights. Weight set for comparator balance AX10005, for determination of the first weight decade 1 kg to 10 kg, comprising 1 x 5 kg, 2 x 2 kg and 1x1 kg cylindrical weights.

Disk Weights for AX1006		for AX10005	
Nominal Weight	Contents	Nominal Weight	Contents
100 g	●	1 kg	●
200 g	●●	2 kg	●●
		5 kg	●
Order number	00222404		00222420

M1

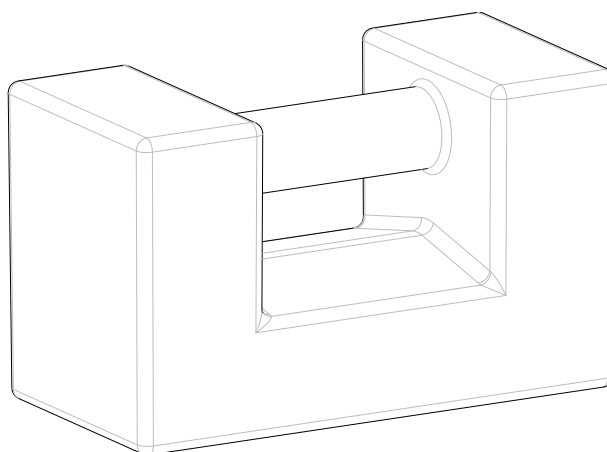
Nominal Value	Weight only	Weight & Certificate
5 kg	00160900	00160901
10 kg	00160910	00160911
20 kg	00160920	00160921
50 kg	00160930	00160931

M2

Nominal Value	Weight only	Weight & Certificate
5 kg	00161000	00161001
10 kg	00161010	00161011
20 kg	00161020	00161021
50 kg	00161030	00161031

M3

Nominal Value	Weight only	Weight & Certificate
5 kg	00161100	00161101
10 kg	00161110	00161111
20 kg	00161120	00161121
50 kg	00161130	00161131



Properties

- Cast iron
- Density: 7.2 kg/dm³
- Shape: rectangular

Calibration Certificate

SCS Calibration Certificate recognized worldwide (EA multilateral agreement SCS equal to DKD, COFRAC; UKAS; SIT...

Heavy weights Turned cylindrical weights

Nominal Value	OIML F2	Weight only	Weight & Box & Certificate
100 kg		00161500	00161501
200 kg		00161510	00161511
500 kg		00161520	00161521
1000 kg		00161530	00161531
2000 kg		00161540	00161541

Properties

- Epoxy-coated steel
- Density: 7.8kg/dm³



Other heavy weights on request

Disc weights

Nominal Value	Weight only	Weight & Box	Weight & Box & Certificate
E1 1 kg, diam: 48 mm		11116700	11116701
E2 1 kg, diam: 48 mm		11116710	11116711
500mg E2		11116720	

Properties

- Stainless steel
- Density: 8.0 kg/dm³
- Non magnetic

Other disc weights on request



OIML Weights Accessories



Description	Order No.*	Application	Technical Specifications
Tweezers	00015900	1 mg - 20 g	Length: 115 mm
Tweezers	00015901	20 g - 200 g	Length: 200 mm
Leather gloves	00072001		Leather, Pair
Weight fork	00222175	500 g - 1 kg	Length: 300 mm
Weight fork	00015902	2 kg	Length: 320 mm
Weight fork	00015903	5 kg	Length: 470 mm
Weight handle	00015904	10 kg - 20 kg	
Weight handle	11116517	10 kg - 20 kg	With hook for crane
Weight handle	11116515	50 kg OIML	With hook for crane
Plastic case for block weight	11116522	5 kg M1 - M3	
Plastic case for block weight	11116523	10 kg M1 - M3	
Plastic case for block weight	11116524	20 kg M1 - M3	
Wooden case for block weight	11116525	50 kg M1 - M3	
Weight marking	11116500	1 g - 50 kg	Up to 5 digits, alphanumeric

* Other accessories on request

Your weights in safe hands

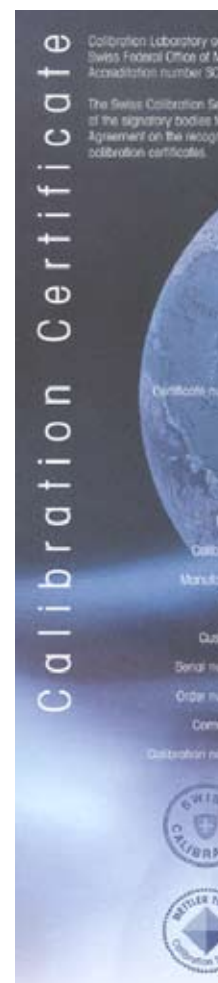
METTLER TOLEDO accessories make handling weights specially fast and easy.

► www.mt.com/weights

For more information about calibration laboratories

► metrology@mt.com

► www.mt.com/weights-recalibration





OIML Weights Calibration Service



accredited by the
Metrology and Accreditation
IS 032

Service is one
of the EA Multilateral
Agreement

METTLER TOLEDO

11111 1 3

Weight set	
Conventional mass	
Mettler-Toledo GmbH	
Type	1 mg - 200 g
Manufacturer	Mr. Model
Number	158841
Number	A 100 030 333
Number	Initial calibration
Number	20450

S Schweizerischer Kalibrierdienst
C Service suisse d'Etalonnage
S Servizio svizzero di taratura
S Swiss Calibration Service

Manufactured from high quality stainless steel with certified internal and external surfaces. The certificate also lists the following data and form part of the certificate.

The contents of this certificate may be published or passed on to a third party only in full and with the permission of the calibration laboratory.

Traceable weights

ISO 9001 requires that measurement equipment (e.g. balances) is regularly checked with traceable references. Only weights with calibration certificates, issued by an accredited laboratory, are a traceable reference to ISO 9001 and ISO 17025. METTLER TOLEDO operates a network of accredited mass laboratories. These laboratories are accredited for mass calibrations in the weight range of 1 mg up to 50 kg and OIML accuracy classes up to E1 (or even better than E1 at a 1 kg level).

Quality management

All laboratories of the network are accredited by their respective national accreditation body and thus fulfill the ISO 17025 standard. The accreditation bodies are signatories of multilateral agreements for recognition of calibration certificates. This guarantees worldwide acceptance of METTLER TOLEDO calibration certificates.

Competence centre

METTLER TOLEDO provide facilities for weight cleaning and re-calibration, service and engineering, and for calibration of OIML weights in accredited standards mass laboratories all over the world.

Worldwide re-calibration service

Re-calibration of weights has to be done on a regular basis in order to keep balances and the associated processes under control. The network of METTLER TOLEDO calibration laboratories is at your service.

Our Weights Make Optimal Selection Easy

OIML weights

Weights classified according to the OIML R111-1 standard of the International Organization for Legal Metrology. Tolerances, material, and surfaces are defined. For research and industry, commerce and laboratory, as well as standards businesses and other official bodies are required to fulfil quality standards such as ISO 9000, GLP and GMP.

How to choose the proper weight/class

Balance resolution class*	OIML R111-1:2004
Up to approx. 6'000d	M1
Up to approx. 30'000d	F2
Up to approx. 100'000d	F1
Above 100'000d	E2

* Resolution = maximum load / readability

Example:

Your balance has a weighing range up to 205 g with a readability of 0.0001 g (0.1 mg). This results in $205 \text{ g} : 0.0001 \text{ g} = 2'050'000$ digits. You should therefore select a test weight from class E2.



	E1	E2	F1	F2	M1	M2	M3
Weight	+/- mg	+/- mg	+/- mg	+/- mg	+/- mg	+/- mg	+/- mg
1mg	0.003	0.006	0.02	0.06	0.2		
2mg	0.003	0.006	0.02	0.06	0.2		
5mg	0.003	0.006	0.02	0.06	0.2		
10mg	0.003	0.008	0.025	0.08	0.5		
20mg	0.003	0.01	0.03	0.1	0.3		
50mg	0.004	0.012	0.04	0.12	0.4		
100mg	0.005	0.016	0.05	0.16	0.5	1.6	
200mg	0.006	0.02	0.06	0.2	0.6	2	
500mg	0.008	0.025	0.08	0.25	0.8	2.5	
1g	0.01	0.03	0.1	0.3	1	3	10
2g	0.012	0.04	0.12	0.4	1.2	4	12
5g	0.016	0.05	0.16	0.5	1.6	5	16
10g	0.02	0.06	0.2	0.6	2	6	20
20g	0.025	0.08	0.25	0.8	2.5	8	25
50g	0.03	0.10	0.3	1	3	10	30
100g	0.05	0.16	0.5	1.6	5	16	50
200g	0.1	0.3	1	3	10	30	100
500g	0.25	0.8	2.5	8	25	80	250
1kg	0.5	1.6	5	16	50	160	500
2kg	1	3	10	30	100	300	1000
5kg	2.5	8	25	80	250	800	2500
10kg	5	16	50	160	500	1600	5000
20kg	10	30	100	300	1000	3000	10000
50kg	25	80	250	800	2500	8000	25000
100kg		160	500	1600	5000	16000	50000
200kg		300	1000	3000	10000	30000	100000
500kg		800	2500	8000	25000	80000	250000
1000kg		1600	5000	16000	50000	160000	500000
2000kg			10000	30000	100000	300000	1000000
5000kg			25000	80000	250000	800000	2500000

Tolerance limits:

The maximum permissible errors on verification for conventional masses

- Look for "weight selector" on www.mt.com/weight

OIML Weights Manufacturing Competence



As the world's leading manufacturer of balances, METTLER TOLEDO draws on its know-how and experience to produce highly accurate weights for testing, calibration and verification of balances. Accuracy, quality and service characterize our performance.

Premium raw materials

All weights are made from premium stainless steel melted under vacuum with a density of 8.0kg/dm³ (Premium Line). Its low magnetic permeability and high corrosion resistance guarantee reliable stable values.

Environmental standard

The entire production process, including cleaning baths, complies with ISO 9001 and the ISO 14001 environmental standard.

Magnificent finish

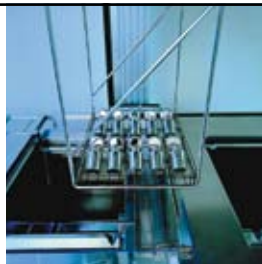
The surfaces are brightly polished and the markings applied with the utmost care.

Large stock

Guaranteed quality, long-term stability and quick delivery time.

Traceable Production References

All METTLER TOLEDO weights are manufactured using references which are traceable to the International Prototype Kilogram kept at BIPM (International Bureau of Weights and Measures) near Paris.



Mettler-Toledo AG

Laboratory & Weighing Technologies
 CH-8606 Greifensee, Switzerland
 Phone +41-44-944 22 11
 Fax +41-44-944 30 60

Australia	Mettler-Toledo Ltd. , Port Melbourne, Victoria 3207 Tel. (03) 9644 57 00, Fax (03) 9645 39 35
Austria	Mettler-Toledo GmbH. , A-1100 Wien Tel. (01) 604 19 80, Fax (01) 604 28 80
Belgium	Mettler-Toledo s.a. , B-1932 Zaventem Tel. (02) 334 02 11, Fax (02) 334 03 34
Brazil	Mettler-Toledo Ltda. , 06455-000 Barueri/São Paulo Tel. (11) 7295 1692, Fax (11) 421 3459
Canada	Mettler-Toledo Inc. , Ontario, Canada Tel (800) 638-8537, Fax (905) 681-8036
China	Mettler-Toledo (Shanghai) Ltd. , Shanghai 200233 Tel. (21) 6485 04 35, Fax (21) 6485 33 51
Croatia	Mettler-Toledo, d.o.o. , HR-10000 Zagreb Tel. 01 29 58 130, Fax 01 29 58 140
Czech Republic	Mettler-Toledo, spol. s.r.o. , CZ-100 00 Praha 10 Tel. 272 123 150, Fax 272 123 170
Denmark	Mettler-Toledo A/S , DK-2600 Glostrup Tel. (43) 270 800, Fax (43) 270 828
France	Mettler-Toledo s.a. , F-78222 Viroflay Tel. (01) 3097 17 17, Fax (01) 3097 16 16
Germany	Mettler-Toledo GmbH , D-35353 Giessen Tel. (0641) 50 70, Fax (0641) 507 128
HongKong	Mettler-Toledo (HK) Ltd. , Kowloon Tel. (852) 2744 1221, Fax (852) 2744 6878
Hungary	Mettler-Toledo, KFT , H-1173 Budapest Tel. (01) 288 40 40, Fax (01) 288 40 50
India	Mettler-Toledo India Pvt Ltd , Mumbai 400 072 Tel. (22) 2857 08 08, Fax (22) 2857 50 71
Italy	Mettler-Toledo S.p.A. , I-20026 Novate Milanese Tel. (02) 333 321, Fax (02) 356 29 73
Japan	Mettler-Toledo K.K. , Tokyo 102-0075 Tel. (3) 3222 7111, Fax (3) 3222 7115
Korea	Mettler-Toledo (Korea) Ltd. , Seoul 137-130 Tel. 82-2-3498-3500, Fax 82-2-3498-3555
Kazakhstan	Mettler-Toledo Central Asia , 480009 Almaty Tel. (07) 3272 980 834, Fax (07) 3272 980 835
Malaysia	Mettler-Toledo (M) Sdn. Bhd. , 40150 Selangor Tel. (603) 784 55 773, Fax (603) 784 58 773
Mexico	Mettler-Toledo S.A. de C.V. , México C.P. 06430 Tel. (55) 5547 5700, Fax (55) 5547 2128
Netherlands	Mettler-Toledo B.V. , NL-4004 JK Tiel Tel. (0344) 638 363, Fax (0344) 638 390
Norway	Mettler-Toledo A/S , N-1008 Oslo Tel. 22 30 44 90, Fax 22 32 70 02
Poland	Mettler-Toledo, Sp. z o.o. , PL-02-822 Warszawa Tel. (22) 545 06 80, Fax (22) 545 06 88
Russia	Mettler-Toledo C.I.S. AG , 10 1000 Moskau Tel. (095) 921 92 11, Fax (095) 921 78 68
Singapore	Mettler-Toledo (S) Pte. Ltd. , Singapore 139959 Tel. 65-6890 0011, Fax 65-6890 0012
Slovakia	Mettler-Toledo , SK-82104 Bratislava Tel. (02) 434 27 496, Fax (02) 433 37 190
Slovenia	Mettler-Toledo, d.o.o. , SI-1236 Trzin Tel. (01) 530 8050, Fax (01) 562 1789
Spain	Mettler-Toledo S.A.E. , E-08908 Barcelona Tel. (93) 223 76 00, Fax (93) 223 76 01
Sweden	Mettler-Toledo AB , S-12008 Stockholm Tel. (08) 702 50 00, Fax (08) 642 45 62
Switzerland	Mettler-Toledo (Schweiz) GmbH , CH-8606 Greifensee Tel. (044) 944 45 45, Fax (044) 944 45 10
Thailand	Mettler-Toledo (Thailand) Ltd. , Bangkok 10320 Tel. 66-2-723 0300, Fax 66-2-719 6479
Taiwan	Mettler-Toledo Pac Rim AG , Taipei Tel. (2) 2657 8898, Fax (2) 2657 0776
United Kingdom	Mettler-Toledo Ltd. , Leicester, LE4 1AW Tel. (0116) 235 70 70, Fax (0116) 236 5500
United States	Mettler-Toledo, Inc. , Columbus, OH 43240 Tel. 800-METTLER, Fax (614) 438 4900

For all other countries

Mettler-Toledo AG
 PO Box VI-400, CH-8606 Greifensee
 Tel. +41-44-944 22 11, Fax +41-44-944 31 70

Subject to technical changes
 © 11/2006 Mettler-Toledo AG
 Printed in Switzerland 11795461

www.mt.com/weights

For more information

**Quality certificates**

Development, production and testing according to ISO 9001.



Environment management system according to ISO 14001.

**Communauté Européenne**

This mark assures you that our products comply with the latest guidelines.