

Hermetic Stainless Steel Single Point Platform Size up to 500x400 mm



Wash Down Applications

SLP845 is the right choice for the food or pharmaceutical industry where daily wash down is required. It provides best weighing performance in a hermetically sealed stainless steel load cell. Thus it is ideal for stainless steel scales or general weighing applications where the highest grade of IP protection and corrosion resistance is required.



Off-Center Compensation

One load cell can be used to support a weighing platform and, due to the off-center load compensation, the SSH will weigh within tolerance regardless of load application point.



Robustness

SLP845 is an extremely robust single point load cell suitable for almost all industrial environments. It allows 50% static overload without compromising the weighing performance.



SLP845 Hermetic Single Point Load Cell

The SLP845 load cell features:

- OIML and NTEP approval
- Hazardous area approval
- Hermetically sealed IP68/IP69K
- Stainless steel
- up to 500x400 mm platform size
- 15–200kg capacity range

The SLP845 is the ideal solution for scales, packaging and process weighing where a hermetically sealed stainless steel load cell is required for harsh chemical and washdown environments. Due to the low profile the integration into any system is easy. The broad capacity range and large platform size allows wide application in industrial weighing applications.

SLP845 Load Cell Specifications

Parameter		unit of measure	Specification				
Model No.			SLP 845				
Rated Capacity (R.C.)		kg(lb)	15 (33)	22 (48)	50 (110)	100 (220)	200 (441)
Rated Output		mV/V @R.C.	2 ± 10%				
Zero load Output		%R.C.	≤ 1.0				
Combined Error ^{1) 2)}		%R.C.	≤ 0.018				
Repeatability Error		%A.L. ³⁾	≤ 0.01				
Creep, 30 minute		%A.L.	≤ 0.017				
Min. Dead Load Output Return (DR), 30 min		%A.L.	≤ 0.017				
Temperature Effect on	Min. Dead load Output	%R.C./°C	≤ 0.001 (0.0007) ; 0.003 (0.0016)				
	Sensitivity ²⁾	%A.L./°C	≤ 0.001 (0.0006)				
	Compensated	°C (°F)	-10 ~ +40 (+14 ~ +104)				
Temperature Range	Operating		-40 ~ +65 (-40 ~ +150)				
	Safe Storage		-40 ~ +80 (-40 ~ +176)				
OIML / European Approval ⁴⁾	OIML Cert. No.		R60/2000-NL1-12.55 / TC8077				
	European Cert. No.		C				
	Class		3000				
	nmax		3000				
	vmin	g	1 ; 2	2 ; 5	5 ; 10	10 ; 20	20 ; 50
	PLC		0.7				
	Humidity Symbol		CH				
	Min. dead load	kg	0.1				
	Z		3000				
	Barometric Pressure Effects		None				
NTEP Approval ⁴⁾	Number		13-002				
	Class		III S				
	nmax		5000				
	Vmin	lb	0.002 ; 0.005	0.005 ; 0.01	0.01 ; 0.02	0.02 ; 0.05	0.05 ; 0.1
	Min. dead load	lb	0.05		0.15		
ATEX Approval ⁴⁾	Number		DEKRA 13ATEX0045 / DEKRA 13ATEX0046				
	Rating		II 2G Ex ib IIC T4 Gb / II 2D Ex ib IIIC T100°C Db				
	Entity Parameters		II 3G Ex ic IIC T4 Gc / II 3G Ex nA IIC T4 Gc / II 3D Ex tc IIIC T100°C Dc				
	Number, USA		FM18US0025				
	Rating USA		IS / I, II, III / 1 / ABCDEFG / T4 Entity				
Factory Mutual Approval ⁴⁾	Entity Parameters		NI / 1 / 2 / ABCD / T6 NIFW; S / II, III / 2 / FG / T6				
	System Drawing No, USA		Vmax=20V, Imax=600mA, Pi=1.25W, Ci=0, Li=0; NIFW: Vmax=20V, Imax=600mA, Ci= 0, Li=0				
			30036645				
Excitation Voltage	Recommended	V AC/DC	5-15				
	Max.		20				
Terminal Resistance	Excitation	Ω	1116 ± 20				
	Output		1000 ± 3				
Insulation Resistance @50VDC		MΩ	1116 ± 20				
Breakdown Voltage		V AC	1000 ± 3				
Material	Spring Element		17-4PH stainless steel				
	Enclosure		304 stainless steel				
	Cable entry fitting		304 stainless steel				
	Cable		PVC				
Protection	Type		sealed				
	IP Rating		IP68, IP69K				
	NEMA Rating		NEMA 6/6P				
Overload Protection		NO					
Load Limit	Safe	%R.C.	150				
	Ultimate		300				
Safe Side Load		%R.C.	100				
Safe Dynamic Load		%R.C.	70				
Fatigue Life		cycles @R.C.	1,000,000				
Direction of Loading			Beam				
Deflection @ R.C., nominal		mm (in)	0.18 (0.007)	0.15 (0.006)	0.18 (0.007)	0.18 (0.007)	0.22 (0.009)
Weight, nominal		kg (lb)	1.3(3)				
Cable	Length	m (ft)	3 (9.8)				
	Diameter	mm (in)	6.2 (0.24)				
Mounting Screw	Grade		A4-70				
	Size/thread	mm	M6x1				
	Engaged Length	mm	10 (0.4)				
	Torque, nominal	Nm	10 (7.4)				
Max Platter Size		cm x cm (in x in)	30 x 30 (11.8 x 11.8)		40 x 50 (15.7 x 19.7)		
Off Center Load Error @33%R.C.		%A.L./cm (.in)	0.0044 (0.011)				

¹⁾ Error due to the combined effect of non-linearity and hysteresis

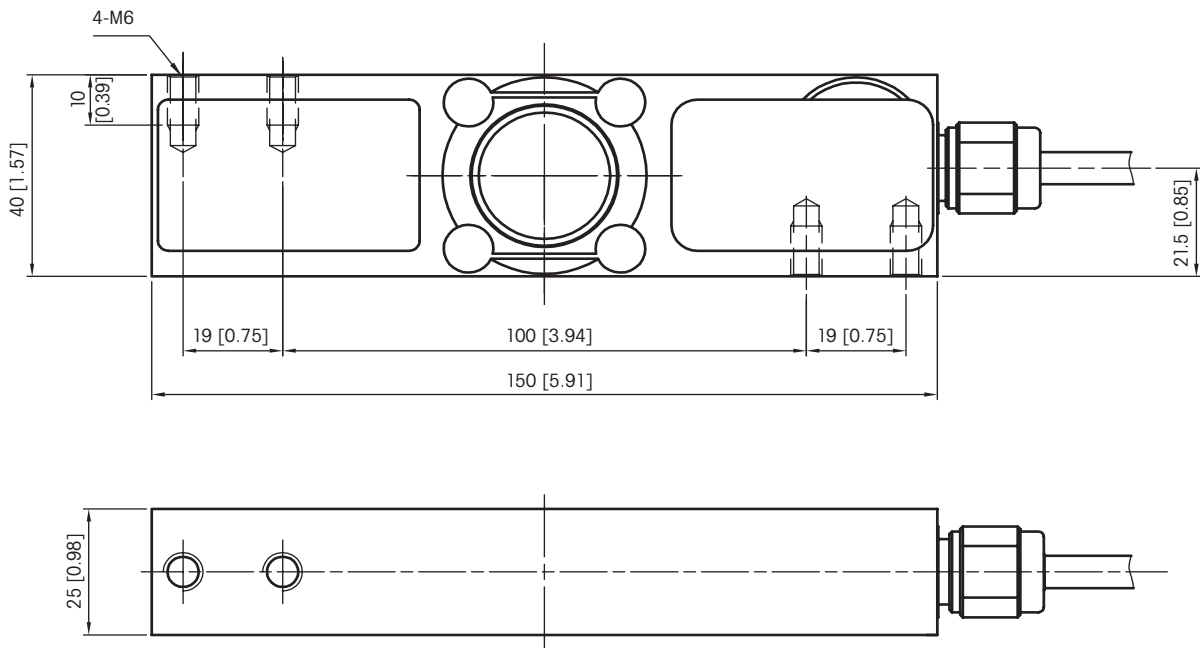
²⁾ Typical values only. The sum of errors due to Combined Error and Temperature Effect on Sensitivity comply with the requirements of OIML R60 and NIST HB44.

³⁾ A.L. = Applied Load

⁴⁾ See certificate for complete information.



SLP845 15–200 kg Load Cell Dimensional Drawings mm [inch]



SLP845 Load Cell Order Information

Description	Item No.
Load Cell SLP845-15KG 3M C3/III S n:5 vmin 1g/0.002lb	72244433
Load Cell SLP845-15KG 3M C3/III S n:5 vmin 2g/0.005lb	72244437
Load Cell SLP845-22KG 3M C3/III S n:5 vmin 2g/0.005lb	72244429
Load Cell SLP845-22KG 3M C3/III S n:5 vmin 5g/0.01lb	72244431
Load Cell SLP845-50KG 3M C3/III S n:5 vmin 5g/0.01lb	72244426
Load Cell SLP845-50KG 3M C3/III S n:5 vmin 10g/0.02lb	72244428
Load Cell SLP845-100KG 3M C3/III S n:5 vmin 10g/0.02lb	72244423
Load Cell SLP845-100KG 3M C3/III S n:5 vmin 20g/0.05lb	72244425
Load Cell SLP845-200KG 3M C3/III S n:5 vmin 20g/0.05lb	72244420
Load Cell SLP845-200KG 3M C3/III S n:5 vmin 50g/0.1lb	72244422

Bolded entries are stocked

SLP845 Load Cell Cable Colours

Colour	Function
Green	+ Excitation
Black	- Excitation
White	+ Signal
Red	- Signal
Yellow	+ Sense
Blue	- Sense
Yellow (Long)	Shield

Full Connectivity

The SLP845 is provided with all listed approvals. No need to think about options and additional charges. Simplifies the conduct of global business, order processing and service-part stocking.



METTLER TOLEDO Service

Our extensive service network is among the best in the world and ensures maximum availability and service life of your product.



Quality certificate ISO 9001
Environment certificate ISO 14001

Subject to technical changes.
© 10/2020 Mettler-Toledo AG
Printed in Switzerland MTSI 44098429
MarCom Industrial

Weighing Electronics

METTLER TOLEDO offers a complete family of electronics from simple weighing to application solutions for filling, stock control, batching, formulation, counting, and checkweighing.



www.mt.com

Visit for more information