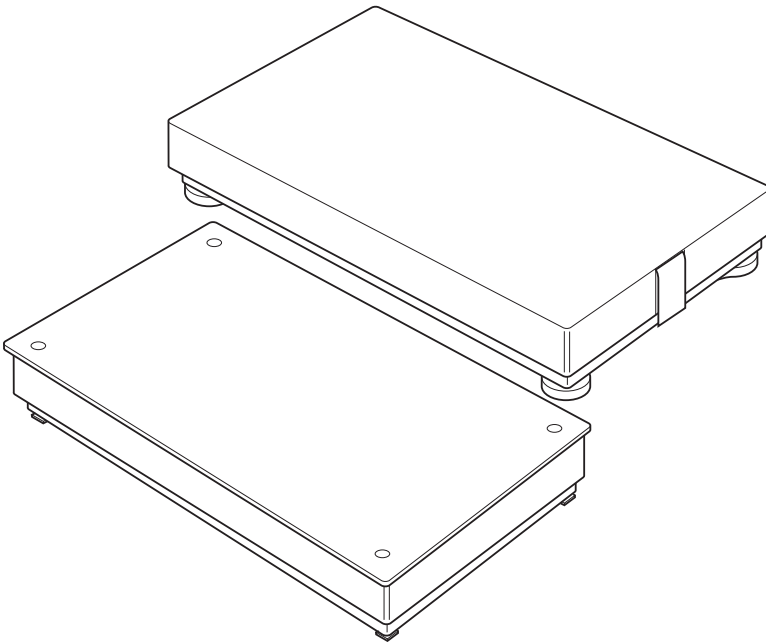


Operating instructions

METTLER TOLEDO MultiRange Floor scales/Pit scales

METTLER TOLEDO

KC300...x-T4 / KCS300...x-T4
KC600...x-T4 / KCS600...x-T4
KD600...x-T4 / KD1500...x-T4
KE1500...x-T4 / KE3000...x-T4
KES1500...x-T4 / KES3000...x-T4



Contents

1	General information	4
2	Safety precautions	4
3	Equipotential bonding	5
4	Operating limits	6
5	Cleaning the weighing platform	8
5.1	Removing the load plate at KC... and KCS... weighing platforms	8
5.2	Opening and closing the foldable weighing platforms K...sk	9
5.3	Notes on cleaning	11
5.4	Subsequent treatment	12
5.5	Cleaning the measuring cell	12
6	Standard accessories	13
7	Technical data of the measuring cell	15
8	Disposal	15

1 General information

The weighing platform is part of a modular system. The associated components, such as terminals, application pacs and the extensive range of accessories, allow you to assemble a weighing system ideally tailored to the needs of your operation.

2 Safety precautions



There is an increased risk of injury and damage when explosionproof weighing platforms are used in a potentially explosive atmosphere.

Special care must be taken when working in such hazardous areas. The code of practice is oriented to the "Safe Distribution" concept drawn up by METTLER TOLEDO.

Competence

- ▲ The K...x-T4 weighing platforms may only be installed, maintained and repaired by authorized METTLER TOLEDO service personnel.

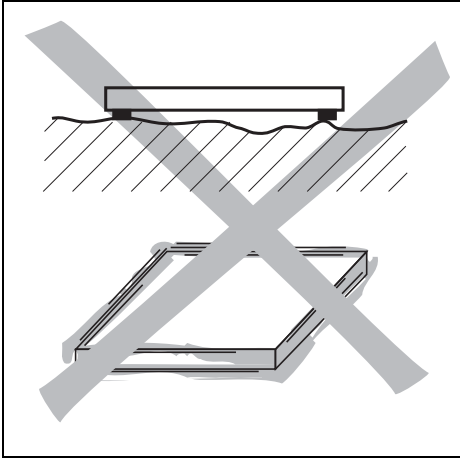
Ex approval

- ▲ No modifications may be made to the weighing platforms and no repair work may be performed on the modules. Any weighing platform or system modules that are used must comply with the specifications contained in the guide for installers. Non-compliant equipment jeopardizes the intrinsic safety of the system, cancels the Ex approval and renders any warranty or product liability claims null and void.
- ▲ The safety of a weighing system including the K...x-T4 weighing platforms is only guaranteed when the weighing system is operated, installed and maintained in accordance with the respective instructions.
- ▲ Also comply with the following:
 - the instructions for the system modules,
 - the relevant national regulations and standards,
 - the applicable statutory requirements for electrical equipment installed in hazardous atmospheres in the respective country,
 - all instructions related to safety issued by the operator.
- ▲ The explosion-protected weighing system must be checked to ensure compliance with the requirements for safety before being put into service for the first time, following any service work and every 3 years, at least.

Operation

- ▲ Prevent the build-up of static electricity. Always wear suitable working clothes when operating or performing service work on the system.
- ▲ Never use protective hoods.
- ▲ Remove any protective film from the load plate before the initial start-up.
- ▲ Avoid causing damage to the weighing platforms.

Selecting installation location



- ▲ The foundation must be capable of safely support the weight of the weighing platform at its support points when it carries the maximum load. At the same time, it should be so stable that no vibrations occur during weighing operations. These requirements also apply when the weighing platform is integrated in conveying systems and the like.
- ▲ Ensure that there are no vibrations from machines near the installation site.
- ▲ Ensure that there are no drafts at the installation site.
- ▲ The underground has to be even.

3 Equipotential bonding

The equipotential bonding must be installed by a professional electrician when using the weighing platform in Zones 1 and 21. METTLER TOLEDO Service only has a monitoring and consulting function here.

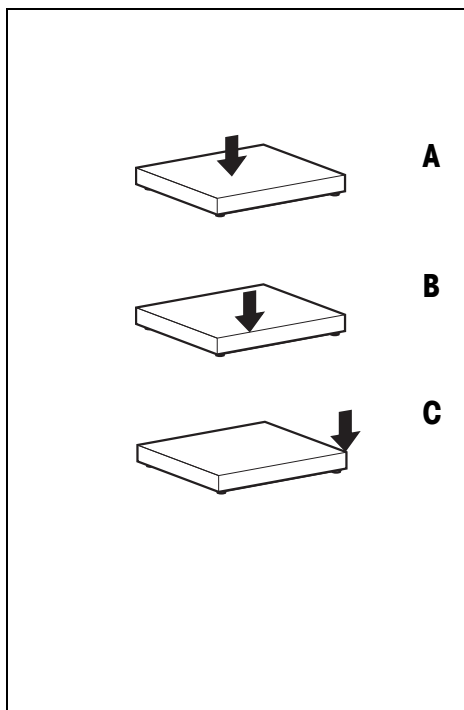
- Connect equipotential bonding (PA) of all devices (weighing platform and service terminal) in accordance with the country-specific regulations and standards. In the process, make sure
 - that all device housings are connected to the same potential via the EB terminals.
 - no circulating current flows via the cable shielding for intrinsically safe circuits,
 - the neutral point for equipotential bonding is as close to the weighing system as possible.

4 Operating limits

The weighing platform has such a rugged design that no damage should result if the maximum weighing capacity is occasionally exceeded.

The static load-bearing capacity, i.e. the maximum permissible load, is dependent on the type of loading (positions A – C).

Maximum permissible load



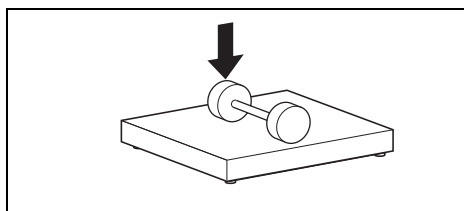
	KC300 KCS300	KC600 KCS600
A	500 kg	1000 kg
B	330 kg	650 kg
C	165 kg	330 kg

	KD600 KD1500	KE1500 KE3000 KES1500 KES3000
A	3500 kg	4500 kg
B	2300 kg	3000 kg
C	1150 kg	1500 kg

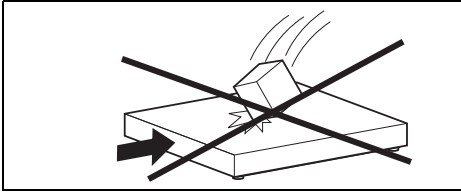
A with central load

B with side load

C with one-sided corner load



▲ When travelling across recessed weighing platforms with lift trucks, ensure that the axle load does not exceed the maximum side load (see above).



▲ Falling loads, shocks and lateral impacts must be avoided.

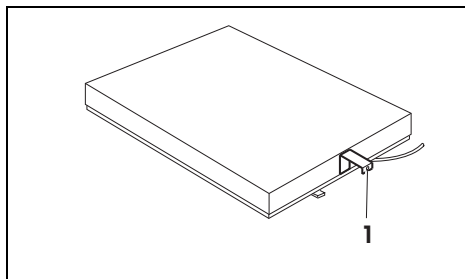


▲ Avoid abrasive and wear processes.

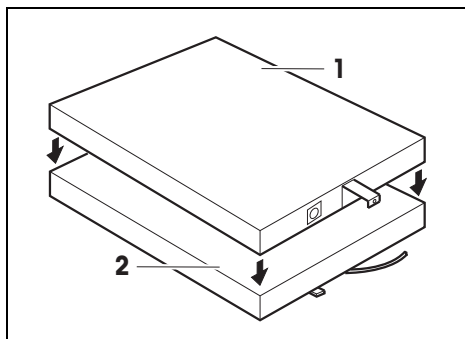
5 Cleaning the weighing platform

Maintenance of the weighing platform is limited to regular cleaning and subsequent oiling. The procedure depends both on the type of surface (hot-galvanised or stainless steel) and on the environmental conditions prevailing at the installation location. Remove dirt and deposits at regular intervals from the outside and inside of the weighing platform.

5.1 Removing the load plate at KC... and KCS... weighing platforms



- Remove the load plate by pivoting the two side handles (1) outward.



- Replace the load plate (1) so that the symbol O is located above the level indicator. Make sure that the load supports (2) in the corners of the weighing platform are vertical.



- ▲ If special regulations with regard to the cleaning of hazardous areas apply in your company, it is imperative that these be observed.

5.2 Opening and closing the foldable weighing platforms K...sk



DANGER

Danger of injury through shutting load plate at K...sk weighing platforms!

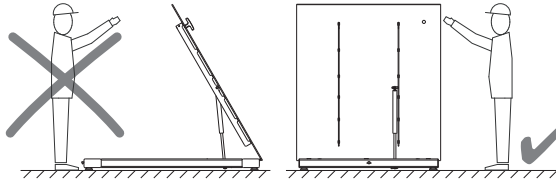
- ▲ **Only** open and close the load plate with the supplied tools!
- ▲ **Never** work under an opened unsecured load plate!



WARNING

Danger of crushing

- ▲ Only instructed personnel may open/close the weighing platforms with foldable load plate.
- ▲ Ensure that there are no persons in the danger area or under the opened load plate.
- ▲ Operation only from the right-hand side.

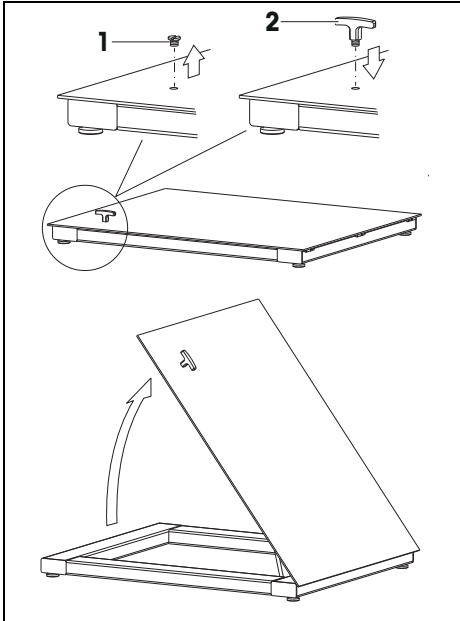


WARNING

At K...sk weighing platforms even slight damage, corrosion or paint residues on the piston rod lead to failure of the gas pressure springs!

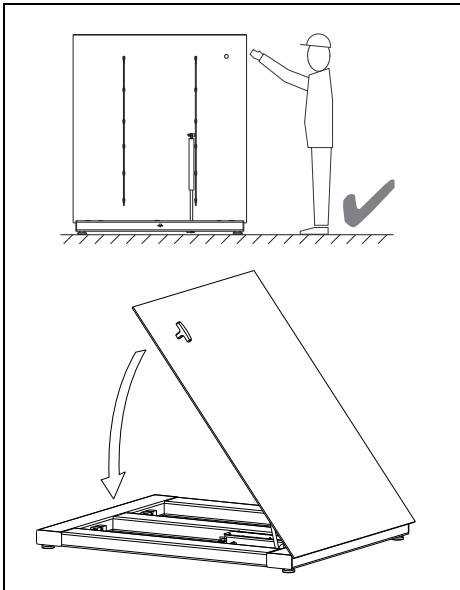
- ▲ Protect gas pressure springs against soiling and damage.
- ▲ Have soiled or damaged gas pressure springs replaced immediately by the METTLER TOLEDO Service. Use only the spare parts specified by METTLER TOLEDO.
- ▲ Do not oil the piston rods of the gas pressure springs.

Opening the weighing terminal



1. Remove weighing goods or superstructure from the load plate.
2. Use a screwdriver to screw out the cover screw (1).
3. Turn the handle (2) clockwise into the exposed thread until it stops.
4. Position yourself next to the weighing platform.
5. Pull the load plate up using the handle.
6. Ensure that the gas pressure spring has extended completely.

Closing the weighing platform



1. Position yourself next to the weighing platform.
2. Press the load plate down using the handle.
3. Ensure that the load plate latches in and lies evenly on the load frame.
4. Turn out the handle counter-clockwise.
5. Screw the cover screw into the load plate.

5.3 Notes on cleaning

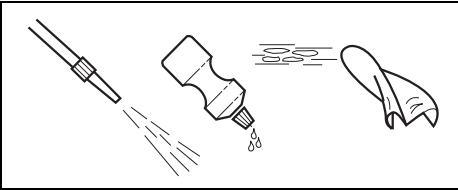


CAUTION

Incorrect use of cleaning agents may cause damage to the weighing platform!

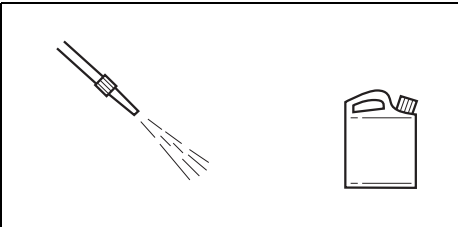
- ▲ Use only such cleaning agents that do not act on the plastics used in the weighing platform.
- ▲ Only use disinfectants and cleaning agents in accordance with the manufacturer's instructions.
- ▲ Do not use highly acidic, highly alkaline or highly chlorinated cleaning agents. Avoid substances with a high or low pH value since increased danger of corrosion otherwise exists.
- ▲ Be particularly careful when cleaning the measuring cell.

Stainless-steel and hot-galvanised version



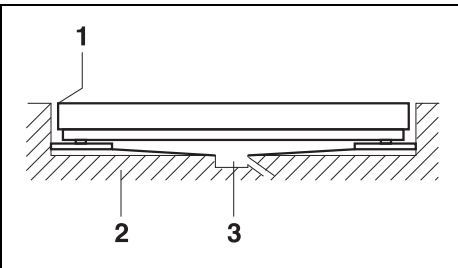
- Wipe with a damp cloth.
- Water jet up to 60 °C.
- Use household cleaning agents.

Corrosive environment



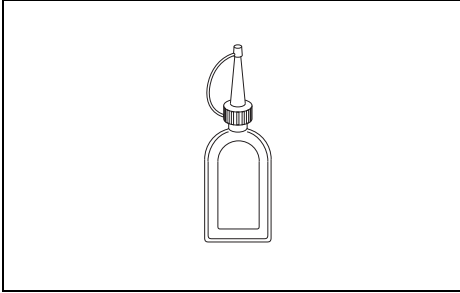
- Water jet up to 60 °C.
- Remove corrosive substances at regular intervals.
- Only use disinfectants and cleaning agents in accordance with the manufacturer's specifications and instructions.

Cleaning a recessed weighing platform



- Ensure gap (1) between weighing platform and pit frame is always kept clear.
- Remove larger dirt deposits at pit bottom (2) at regular intervals.
- Check pit drainage channel (3) for blockage at regular intervals.

5.4 Subsequent treatment



Carry out the following subsequent treatment in order to protect the weighing platform:

- Rinse the weighing platform with clear water and remove cleaning agent completely.
- Dry off the weighing platform with a lint-free cloth.
- Treat the inside and outside of the weighing platform with an oil suitable for foodstuffs.

Particular subsequent treatment at foldable weighing platforms K...sk



WARNING

Failure of the gas pressure springs!

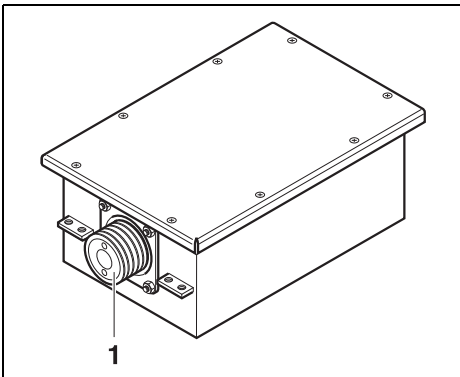
- ▲ Do not oil the piston rods of the gas compression springs.

Special treatment for scales installed in the floor or a pit

- Treat all the moving parts, such as flexible bearings, knife edges and bearings, thoroughly with an oil suitable for foodstuffs after cleaning them.

5.5 Cleaning the measuring cell

The load plate has to be removed or the weighing platform opened respectively in order to clean the measuring cell.

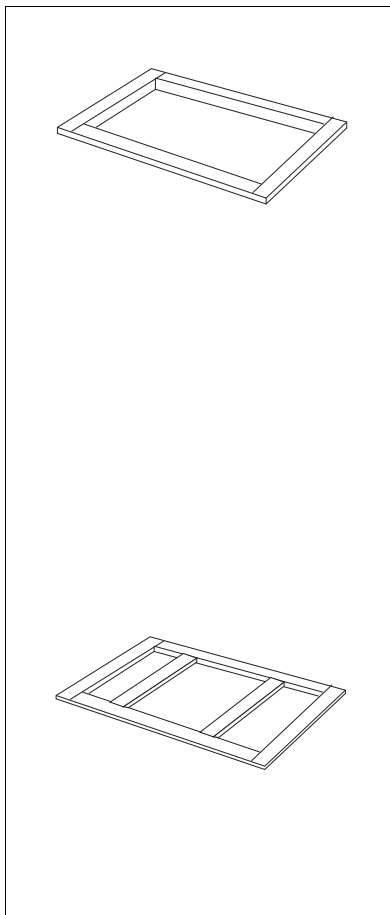


CAUTION

The measuring cell can be damaged!

- ▲ During cleaning work, never touch, direct an airflow against or spray the rubber diaphragm (1) of the measuring cell.
- Blow out dirt or flush out with a medium-power water jet.

6 Standard accessories



Order No.

Pit frame

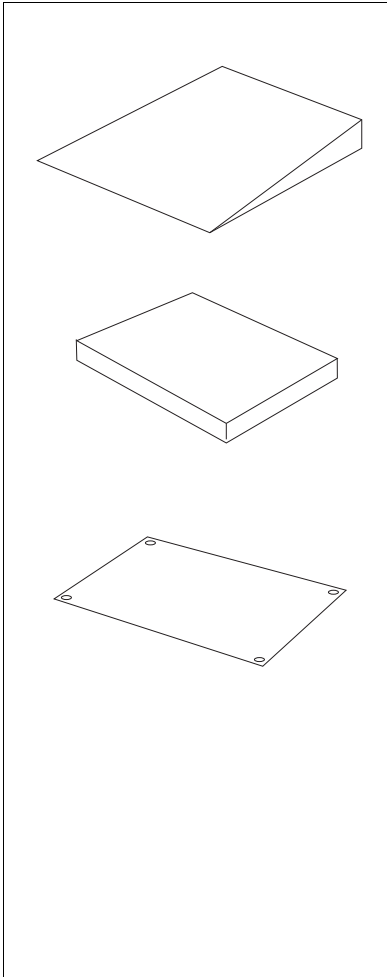
Installation kit incl. fastening materials

for KC..., hot-galvanised	00 503 635
for KC..., stainless steel	00 503 636
for KCS..., hot-galvanised	00 504 550
for KCS..., stainless steel	00 504 551
for KD..., hot-galvanised	00 504 077
for KD..., stainless steel	00 506 399
for KE..., hot-galvanised	00 504 079
for KE..., stainless steel	00 506 400
for KES..., hot-galvanised	00 504 512
for KES..., stainless steel	00 506 401
for KE...sk, stainless steel	00 505 270
for KES...sk, stainless steel	22 007 261

Pit frame with cleaning recess on both sides

Installation kit incl. fastening materials
hot-galvanised

for KD...	00 504 078
for KE...	00 504 080
for KES...	00 504 513



Order No.

Access ramp

00 503 638

for KC..., KCS...

Symmetrical steel design, hot-galvanised checker plate surface
Loading capacity 1000 kg

Additional load plate

00 503 629

for KC...

polished stainless steel
Bell-shaped for placing over existing load plate
Surface protection for stricter hygienic requirements

Load plates

for KD...

enamelled	00 503 617
hot-galvanised	00 503 618
stainless steel	00 503 619

for KE...

enamelled	00 503 620
hot-galvanised	00 503 621
stainless steel	00 503 622

for KES...

enamelled	00 504 504
hot-galvanised	00 504 505
stainless steel	00 504 506

7 Technical data of the measuring cell

Types

TBrick 15-Ex, TBrick 32-Ex

Ignition protection type

ATEX

FM

II 2G EEx ib IIC T4

Class I, II, III DIV 1

II 2D T 55 °C

Group A – G

KEMA 03 ATEX 1130X

Ambient temperature

–10 °C ... + 40 °C

IP protection type

IP66/IP67

8 Disposal



In accordance with the requirements of the European Directive 2002/96 EC about Waste Electrical and Electronic Equipment (WEEE) this equipment may not be disposed of in the household refuse.

This applies correspondingly for countries outside the EC in accordance with the applicable national regulations.

→ Please dispose of this product in accordance with the local regulations in a separate collection for electrical and electronic equipment.

Should you have any questions, please contact the responsible authorities or the dealer from whom you purchased this equipment.

If this equipment is passed on (for example for private or commercial/ industrial further use), this specification has to be passed on correspondingly as well.

Many thanks for your contribution to protecting the environment.

METTLER TOLEDO Service

METTLER TOLEDO products stand for highest quality and precision. Careful handling in accordance with these operating instructions as well as regular maintenance and inspection by our professional customer service ensure the long and reliable function and maintenance of value of your measuring instruments. Our experienced service team will be pleased to inform you about corresponding service agreements or calibration services.

Please register your new product under www.mt.com/productregistration, so that we can inform you about improvements, updates and further important information about your METTLER TOLEDO product.



22006737B

Subject to technical changes © Mettler-Toledo (Albstadt) GmbH 10/12 Printed in Germany 22006737B

Mettler-Toledo (Albstadt) GmbH

D-72458 Albstadt

Tel. ++49-7431-14 0, Fax ++49-7431-14 232

Internet: <http://www.mt.com>