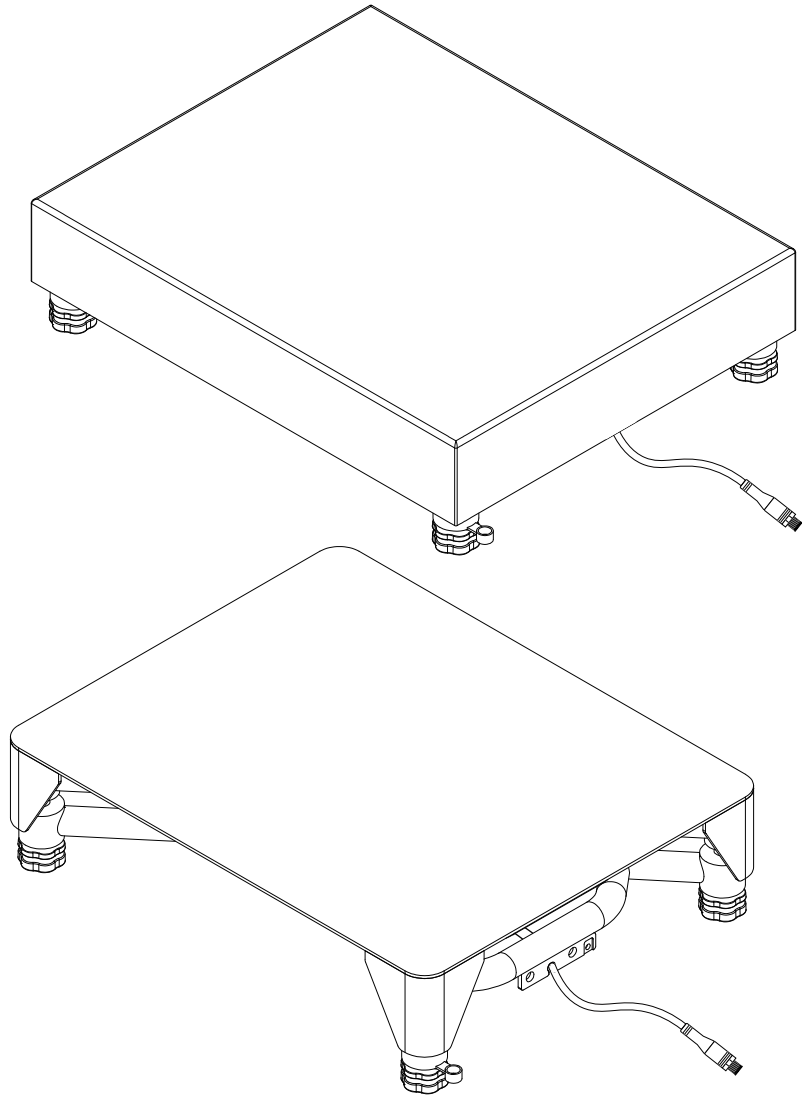


PBD659

English User Manual Weighing Platform
Svenska Användarmanual Vägningplattform
Dansk Brugervejledning Vejeplatform
Norsk Brukermanual Veieplattform



METTLER TOLEDO

User Manual

English

Användarmanual

Svenska

Brugervejledning

Dansk

Brukermanual

Norsk

METTLER TOLEDO Service

Congratulations on choosing the quality and precision of METTLER TOLEDO. Proper use of your new equipment according to this Manual and regular calibration and maintenance by our factory-trained service team ensures dependable and accurate operation, protecting your investment. Contact us about a service agreement tailored to your needs and budget. Further information is available at ► www.mt.com/service.

There are several important ways to ensure you maximize the performance of your investment:

- 1 **Register your product:** We invite you to register your product at www.mt.com/productregistration so we can contact you about enhancements, updates and important notifications concerning your product.
- 2 **Contact METTLER TOLEDO for service:** The value of a measurement is proportional to its accuracy – an out of specification scale can diminish quality, reduce profits and increase liability. Timely service from METTLER TOLEDO will ensure accuracy and optimize uptime and equipment life.
 - ➔ **Installation, Configuration, Integration and Training:** Our service representatives are factory-trained weighing equipment experts. We make certain that your weighing equipment is ready for production in a cost effective and timely fashion and that personnel are trained for success.
 - ➔ **Initial Calibration Documentation:** The installation environment and application requirements are unique for every industrial scale so performance must be tested and certified. Our calibration services and certificates document accuracy to ensure production quality and provide a quality system record of performance.
 - ➔ **Periodic Calibration Maintenance:** A Calibration Service Agreement provides on-going confidence in your weighing process and documentation of compliance with requirements. We offer a variety of service plans that are scheduled to meet your needs and designed to fit your budget.

Table of Contents

1	Safety Instructions	3
1.1	Intended use	3
1.2	Misuse	3
1.3	Safety Precautions	3
2	Introduction	4
2.1	Assortment	4
2.2	About this Manual	4
2.3	Further Documents	4
3	Installation and Operation	5
3.1	Connecting the Weighing Platform to the Weighing Terminal	5
3.2	Leveling	6
3.3	Checking the Weighing Platform	6
3.4	Operating the Weighing Platform	7
3.5	Installation, Configuration, Service and Repair	8
4	Maintenance	9
4.1	Notes on Cleaning	9
4.2	Subsequent Treatment	9
4.3	Disposal	9
5	Technical Data and Operating Limits	10
5.1	Maximum Verification Scale Interval	10
5.2	Maximum Permissible Load	10
5.3	Technical Data of Load Cell	11
5.4	Dimensions	11
5.5	Information about Capacity Preload	12
	5.5.1 Preload Table in Kilogram	13
	5.5.2 Preload Table in Pound	15
5.6	Accessories	17
6	Mounting Possibilities	18

1 Safety Instructions

1.1 Intended use

PBD659 weighing platforms are part of a modular weighing system consisting of a METTLER TOLEDO weighing terminal as indicator and at least one weighing platform.

- Use the weighing platform only for weighing in accordance with this manual.
- The weighing platform is intended for indoor use only.
- Any other type of use is considered as not intended.

Legal metrology

- For use in legal metrology, only use approved weighing platforms.
- When using in legal metrology, the operating company is responsible for observing all national weights & measurements requirements.
- Please contact the METTLER TOLEDO Service organization for questions related to the use in legal for trade applications.

1.2 Misuse

- Do not use the weighing terminal other than for weighing operations.
- Do not use the weighing platform in another environment than specified in the --- MISSING LINK ---.
- Do not modify the weighing platform.
- Do not use the weighing terminal beyond the limits of the technical specifications.
- Do not use the weighing platform for storing goods.
- Avoid falling goods on the weighing platform.
- Do not use the weighing platform in hazardous environments.

1.3 Safety Precautions

- Only personnel trained and qualified by METTLER TOLEDO may install and maintain the weighing platform.
- Be careful when transporting or lifting heavy devices.
- Always disconnect the weighing platform from the power source before installing, servicing, cleaning or performing maintenance.
- The connection cable may not be disconnected from the weighing terminal while energized.
- Make sure the weighing platform has reached room temperature before switching on the power supply.

2 Introduction

2.1 Assortment

This manual focuses on the product series PBD659.

The PBD659 series offer a variety of weighing platforms to fit your requirements. It is approvable and offers various sizes and capacities

Type	Load Plate Material	Scale Frame Material	Load Cell Design	Environment IP Protection	Hazardous Approval
PBD659	Stainless steel AISI304, optional / Stainless steel AISI316L, optional / Stainless steel AISI316L, open platter, optional	Stainless steel AISI304	Stainless steel, hermetically sealed	Dry, wet, IP68/IP69K	-

2.2 About this Manual



This manual contains all information for the operator of the product.

- Read this manual carefully before use.
- Keep this manual for future reference.
- Pass this manual to any future owner or user of the product.

2.3 Further Documents

In addition to this manual you can download the following documents from ► www.mt.com:

- Brochure
- Installation information (for trained personnel under the control of the operating company)
- Type approval documents

Certificate Download

US, Canada certificates can be downloaded from

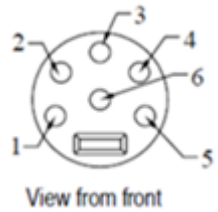
► <https://www.mt.com/us/en/home/search/compliance.html/compliance/>.

3 Installation and Operation

3.1 Connecting the Weighing Platform to the Weighing Terminal

The PBD659 weighing platforms are designed for use with digital METTLER TOLEDO weighing terminals.

- Connect the weighing platform cable to the weighing terminal.

Pin	RS-422	Connector Socket, 6 pin
1	RXD+	
2	RXD-	
3	TXD+	
4	VCC	
5	GND	
6	TXD-	

👉 Scan the QR code to watch the video

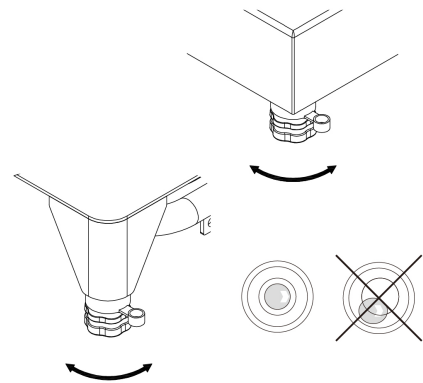


3.2 Leveling

Only a weighing platform which is aligned exactly horizontally supplies exact weighing results. The weighing platform has to be leveled during the initial installation and whenever its location is changed.

- 1 Turn the adjustable feet of the weighing platform until the air bubble of the spirit level is positioned in the inner circle.
- 2 Tighten the lock nuts of the adjustable feet.

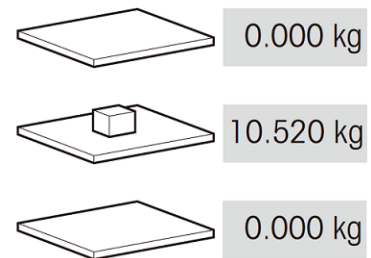
👉 Scan the QR code to watch the video



3.3 Checking the Weighing Platform

Function Check

- 1 Make sure that the weighing platform is connected to a weighing terminal and that the weighing terminal is switched on.
- 2 Make sure that the weighing platform is unloaded and the display of the weighing terminal shows 0.
- 3 Load the weighing platform. The weighing terminal must show a value different from 0.
- 4 Unload the weighing platform. The weighing terminal must return to 0.



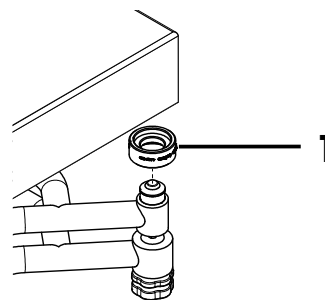
Verification Test

For a verification test refer to the user manual of the connected weighing terminal. If the verification seal is broken, verification is no longer valid.

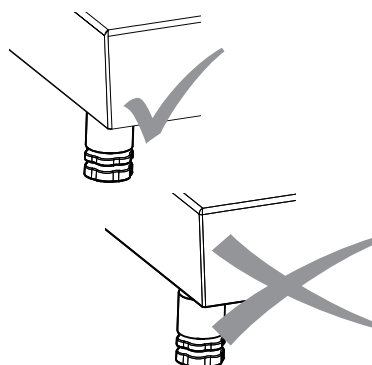
3.4 Operating the Weighing Platform

For best weighing results, observe the following:

- If the weighing platform is delivered with transportation protection pads (1) under the load plate, remove the transportation protection pads before putting it into use.



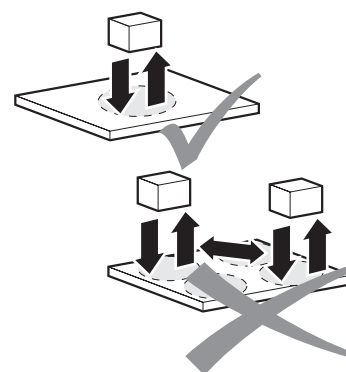
- Ensure the load plate is correctly placed.



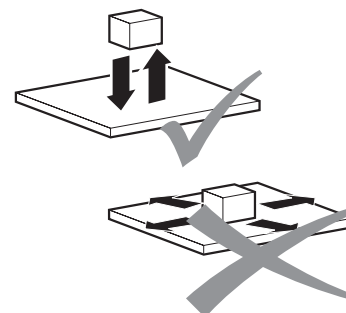
- Before putting the unit into operation, wait at least for five minutes after powering on until the unit fully warms up.



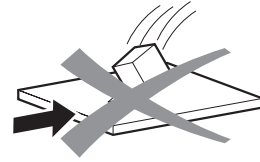
- To achieve best weighing results place the weighing sample always on the same position on the weighing platform.



- Avoid abrasive and wear processes.



- Avoid falling loads, shocks and lateral impacts.



3.5 Installation, Configuration, Service and Repair

For installation, configuration, service and repair of the weighing platforms call the METTLER TOLEDO Service.

4 Maintenance

4.1 Notes on Cleaning

Note

Damage to the weighing platform due to incorrect use of cleaning agents.

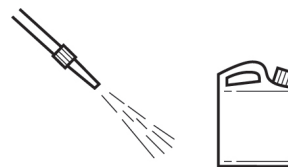
- Only use disinfectants and cleaning agents in accordance with their manufacturer's instructions.
- Do not use highly acidic, highly alkaline or highly chlorinated cleaning agents. Avoid substances with a high or low pH value since increased danger of corrosion otherwise exists.
- Be particularly careful when cleaning the load cell.

Cleaning Procedure

- Remove dirt and deposits at regular intervals from the outside and inside of the weighing platform.
 - ➔ The procedure depends both on the type of surface and on the environmental conditions prevailing at the installation location.

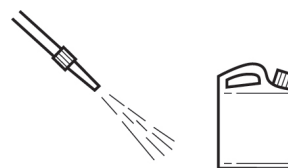
Cleaning in a wet environment (stainless steel versions)

- Use a water jet up to 80 °C / 176 °F and max. 80 bars, minimum distance 40 cm / 16".
- Use household cleaning agents.



Cleaning in a corrosive environment (stainless steel versions)

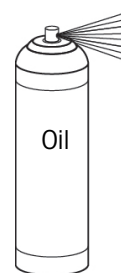
- Use a water jet.
 - Inner cleaning**, load cell, load plate opened: up to 60 °C / 140 °F and max. 2 bars, minimum distance 40 cm / 16".
 - Outer cleaning**, load plate closed: to 80 °C / 176 °F and max. 80 bars, minimum distance 40 cm / 16".
- Remove corrosive substances at regular intervals.
- Only use disinfectants and cleaning agents in accordance with their manufacturer's specifications and instructions



4.2 Subsequent Treatment

In order to protect the scale, carry out the following subsequent treatment:

- Rinse the scale with clear water and remove cleaning agent completely.
- Dry off the scale with a lint-free cloth.
- With stainless steel scales, treat the inside and outside with an oil suitable for foodstuffs.



4.3 Disposal

In conformance with the European Directive 2012/19/EU on Waste Electrical and Electronic Equipment (WEEE) this device may not be disposed of in domestic waste. This also applies to countries outside the EU, per their specific requirements.

Please dispose of this product in accordance with local regulations at the collecting point specified for electrical and electronic equipment. If you have any questions, please contact the responsible authority or the distributor from which you purchased this device. Should this device be passed on to other parties, the content of this regulation must also be related.



5 Technical Data and Operating Limits

5.1 Maximum Verification Scale Interval

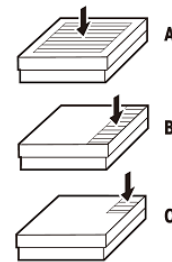
Max. verification scale interval [e] / OIML	Capacity							
	3 kg	6 kg	12 kg	30 kg	60 kg	120 kg	300 kg	600 kg
1 x 6000e Max / e [kg]	3 / 0.0005	6 / 0.001	12 / 0.002	30 / 0.005	60 / 0.01	120 / 0.02	300 / 0.05	600 / 0.2

Max. verification scale interval [d] / NTEP	Capacity							
	-	10 lb	20 lb	50 lb	100 lb	200 lb	500 lb	1000 lb
1 x 10000d Max / d [lb]	-	10 / 0.001	20 / 0.002	50 / 0.005	100 / 0.01	200 / 0.02	500 / 0.05	-
1 x 5000d Max / d [lb]	-	-	-	-	-	-	-	1000 / 0.2

5.2 Maximum Permissible Load

All weighing platforms are equipped with an overload protection. With the robust scale design you can occasionally exceed the rated capacity of the platform without damage. The maximum static safe load must never be exceeded.

- Observe the following operation limits.



Model	A - Central Load	B - Side Load	C - Corner Load
PBD659-QA	50 kg / 110 lb	35 kg / 77 lb	20 kg / 44 lb
PBD659-A	50 kg / 110 lb	35 kg / 77 lb	20 kg / 44 lb
PBD659-QB	120 kg / 265 lb	80 kg / 176 lb	40 kg / 88 lb
PBD659-BB	120 kg / 265 lb	80 kg / 176 lb	40 kg / 88 lb
PBD659-B	220 kg / 485 lb	150 kg / 331 lb	80 kg / 176 lb
PBD659-BC	450 kg / 992 lb	350 kg / 772 lb	180 kg / 397 lb
PBD659-CC	750 kg / 1653 lb	400 kg / 882 lb	200 kg / 440 lb



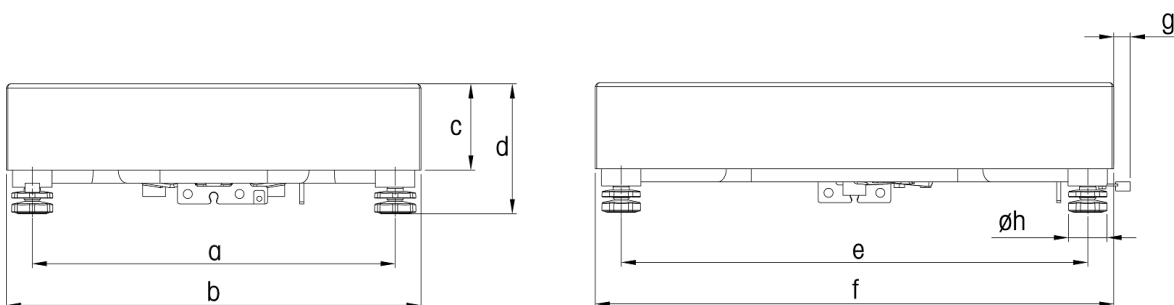
WARNING

Avoid falling loads, shock loads as well as impacts from the side.

5.3 Technical Data of Load Cell

Recommended Voltage	V DC	10 - 12
Max. Excited Voltage	V DC	30
Approval	-	OIML / NTEP
Cable Sheath	-	PVC
IP Rating	-	IP68/IP69K

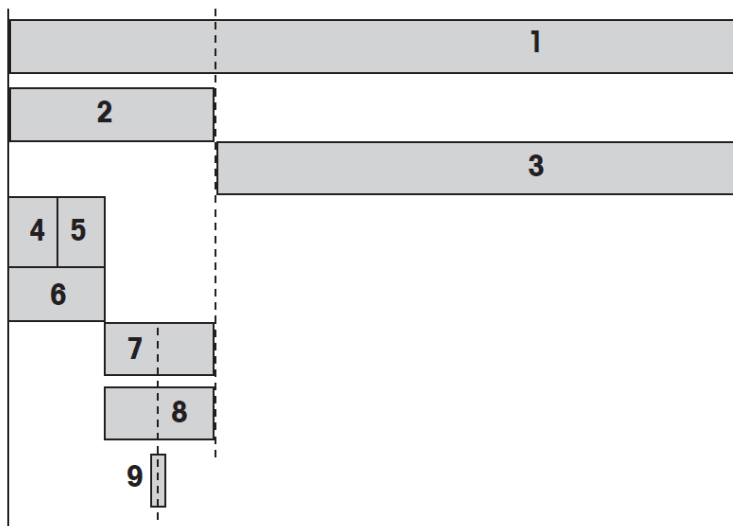
5.4 Dimensions



Dimensions		a	b	c	d *	e	f	g	h
PBD659-QA	mm	178	228	70	110	178	228	21	40
	inch	7.01	8.98	2.76	4.33	7.01	8.98	0.83	1.57
PBD659-A	mm	190	240	70	110	250	300	21	40
	inch	7.48	9.45	2.76	4.33	9.84	11.81	0.83	1.57
PBD659-QB	mm	255	305	70	110	255	305	21	40
	inch	10.04	12.01	2.76	4.33	10.04	12.01	0.83	1.57
PBD659-BB	mm	250	300	70	110	350	400	21	40
	inch	9.84	11.81	2.76	4.33	13.78	15.75	0.83	1.57
PBD659-B	mm	350	400	83	126	450	500	21	40
	inch	13.78	15.75	3.27	4.96	17.72	19.69	0.83	1.57
PBD659-BC	mm	450	500	90	134	600	650	21	40
	inch	17.72	19.69	3.54	5.28	23.62	25.59	0.83	1.57
PBD659-CC	mm	550	600	90	134	750	800	21	40
	inch	21.65	23.62	3.54	5.28	29.53	31.50	0.83	1.57
PBD659-CC600	mm	550	600	94	140.5	750	800	21	40
	inch	21.65	23.62	3.70	5.53	29.53	31.50	0.83	1.57

* : d= minimum platform height. With the adjustable scale feet, the platform height can increase by 5 mm / 0.20 inch at maximum.

5.5 Information about Capacity Preload



1	Maximum load range of the load cell (E_{max})
2	Maximum preload = Maximum load range 1 – Maximum load 3
3	Maximum load = Maximum load range 1 – Maximum preload 2
4	Preload top section
5	Preload weighing pan
6	Preload ex works = Preload top section 4 + Preload weighing pan 5
7	Mechanical preload reserve = Maximum preload 2 – Preload ex works 6
8	The zero-set range (switching on) can be set. The zero-set range must lie within the maximum preload. The zero-set range may amount to a max. of 18 % of the maximum load.
9	Zero-set range ± 2 % of the maximum load

5.5.1 Preload Table in Kilogram

PBD659 with Standard Platter (304 / 316L)

Type	Dimensions [mm]	Max. load (3)	Preload top section (4)	Preload weighing pan (5)	Preload ex works (6)	Mech. preload reserve (7)	Zero set range (8)	Max. load range (1)
PBD659-QA3	228x228	3	0.71	1.90	2.61	5.39	0.54	11
PBD659-QA6	228x228	6	0.71	1.90	2.61	2.39	1.08	11
PBD659-A3	240x300	3	0.80	2.40	3.20	4.80	0.54	11
PBD659-A6	240x300	6	0.80	2.40	3.20	1.80	1.08	11
PBD659-A12	240x300	12	0.80	2.40	3.20	6.80	2.16	22
PBD659-A15	240x300	15	0.80	2.40	3.20	3.80	2.70	22
PBD659-QB12	305x305	12	1.42	2.80	4.22	5.78	2.16	22
PBD659-QB15	305x305	15	1.42	2.80	4.22	2.78	2.70	22
PBD659-QB30	305x305	30	1.42	2.80	4.22	25.78	5.40	60
PBD659-QB60	305x305	60	1.42	2.80	4.22	35.78	10.80	100
PBD659-BB30	300x400	30	2.00	3.50	5.50	24.50	5.40	60
PBD659-BB60	300x400	60	2.00	3.50	5.50	34.50	10.80	100
PBD659-B30	400x500	30	3.99	5.50	9.49	20.51	5.40	60
PBD659-B60	400x500	60	3.99	5.50	9.49	30.51	10.80	100
PBD659-B120	400x500	120	3.99	5.50	9.49	70.51	21.60	200
PBD659-B150	400x500	150	3.99	5.50	9.49	40.51	27.00	200
PBD659-BC60	500x650	60	6.93	8.40	15.33	24.67	10.80	100
PBD659-BC120	500x650	120	6.93	8.40	15.33	64.67	21.60	200
PBD659-BC150	500x650	150	6.93	8.40	15.33	34.67	27.00	200
PBD659-BC300	500x650	300	6.93	8.40	15.33	184.67	54.00	500
PBD659-CC60	600x800	60	10.53	11.50	22.03	17.97	10.80	100
PBD659-CC120	600x800	120	10.53	11.50	22.03	57.97	21.60	200
PBD659-CC150	600x800	150	10.53	11.50	22.03	27.97	27.00	200
PBD659-CC300	600x800	300	10.53	11.50	22.03	177.97	54.00	500
PBD659-CC600	600x800	600	10.53	14.70	25.23	124.77	108.00	750

PBD659 with Open Platter (304 / 316L)

Type	Dimensions [mm]	Max. load (3)	Preload top section (4)	Preload weighing pan (5)	Preload ex works (6)	Mech. preload reserve (7)	Zero set range (8)	Max. load range (1)
PBD659-QA3	228x228	3	0.71	1.20	1.91	6.09	0.54	11
PBD659-QA6	228x228	6	0.71	1.20	1.91	3.09	1.08	11
PBD659-A3	240x300	3	0.80	1.50	2.30	5.70	0.54	11
PBD659-A6	240x300	6	0.80	1.50	2.30	2.70	1.08	11
PBD659-A12	240x300	12	0.80	1.50	2.30	7.70	2.16	22
PBD659-A15	240x300	15	0.80	1.50	2.30	4.70	2.70	22
PBD659-QB12	305x305	12	1.42	1.80	3.22	6.78	2.16	22
PBD659-QB15	305x305	15	1.42	1.80	3.22	3.78	2.70	22
PBD659-QB30	305x305	30	1.42	1.80	3.22	26.78	5.40	60
PBD659-QB60	305x305	60	1.42	1.80	3.22	36.78	10.80	100
PBD659-BB30	300x400	30	2.00	2.30	4.30	25.70	5.40	60
PBD659-BB60	300x400	60	2.00	2.30	4.30	35.70	10.80	100

Type	Dimensions [mm]	Max. load (3)	Preload top section (4)	Preload weighing pan (5)	Preload ex works (6)	Mech. preload reserve (7)	Zero set range (8)	Max. load range (1)
PBD659-B30	400x500	30	3.99	5.60	9.59	20.41	5.40	60
PBD659-B60	400x500	60	3.99	5.60	9.59	30.41	10.80	100
PBD659-B120	400x500	120	3.99	5.60	9.59	70.41	21.60	200
PBD659-B150	400x500	150	3.99	5.60	9.59	40.41	27.00	200

PBD659 with No Platter

Type	Dimensions [mm]	Max. load (3)	Preload top section (4)	Preload weighing pan (5)	Preload ex works (6)	Mech. preload reserve (7)	Zero set range (8)	Max. load range (1)
PBD659-QA3	228x228	3	0.71	0	0.71	7.29	0.54	11
PBD659-QA6	228x228	6	0.71	0	0.71	4.29	1.08	11
PBD659-A3	240x300	3	0.80	0	0.80	7.20	0.54	11
PBD659-A6	240x300	6	0.80	0	0.80	4.20	1.08	11
PBD659-A12	240x300	12	0.80	0	0.80	9.20	2.16	22
PBD659-A15	240x300	15	0.80	0	0.80	6.20	2.70	22
PBD659-QB12	305x305	12	1.42	0	1.42	8.58	2.16	22
PBD659-QB15	305x305	15	1.42	0	1.42	5.58	2.70	22
PBD659-QB30	305x305	30	1.42	0	1.42	28.58	5.40	60
PBD659-QB60	305x305	60	1.42	0	1.42	38.58	10.80	100
PBD659-BB30	300x400	30	2.00	0	2.00	28.00	5.40	60
PBD659-BB60	300x400	60	2.00	0	2.00	38.00	10.80	100
PBD659-B30	400x500	30	3.99	0	3.99	26.01	5.40	60
PBD659-B60	400x500	60	3.99	0	3.99	36.01	10.80	100
PBD659-B120	400x500	120	3.99	0	3.99	76.01	21.60	200
PBD659-B150	400x500	150	3.99	0	3.99	46.01	27.00	200
PBD659-BC60	500x650	60	6.93	0	6.93	33.07	10.80	100
PBD659-BC120	500x650	120	6.93	0	6.93	123.07	21.60	250
PBD659-BC150	500x650	150	6.93	0	6.93	93.07	27.00	250
PBD659-BC300	500x650	300	6.93	0	6.93	193.07	54.00	500
PBD659-CC60	600x800	60	10.53	0	10.53	29.47	10.80	100
PBD659-CC120	600x800	120	10.53	0	10.53	119.47	21.60	250
PBD659-CC150	600x800	150	10.53	0	10.53	89.47	27.00	250
PBD659-CC300	600x800	300	10.53	0	10.53	189.47	54.00	500
PBD659-CC600	600x800	600	10.53	0	10.53	139.47	108.00	750

5.5.2 Preload Table in Pound

PBD659 with Standard Platter (304 / 316L)

Type	Dimensions [inch]	Max. load (3)	Preload top section (4)	Preload weighing pan (5)	Preload ex works (6)	Mech. preload reserve (7)	Zero set range (8)	Max. load range (1)
PBD659-QA6	9x9	10	1.57	4.19	5.76	8.49	1.8	24
PBD659-A6	9.5x11.8	10	1.75	5.29	7.05	7.20	1.8	24
PBD659-A12	9.5x11.8	20	1.75	5.29	7.05	21.46	3.6	49
PBD659-A15	9.5x11.8	25	1.75	5.29	7.05	16.46	4.5	49
PBD659-QB12	12x12	20	3.13	6.17	9.30	19.20	3.6	49
PBD659-QB15	12x12	25	3.13	6.17	9.30	14.20	4.5	49
PBD659-QB30	12x12	50	3.13	6.17	9.30	72.98	9.0	132
PBD659-QB60	12x12	100	3.13	6.17	9.30	111.16	18.0	220
PBD659-BB30	11.8x15.7	50	4.41	7.72	12.12	70.15	9.0	132
PBD659-BB60	11.8x15.7	100	4.41	7.72	12.12	108.34	18.0	220
PBD659-B30	15.7x19.7	50	8.79	12.13	20.92	61.36	9.0	132
PBD659-B60	15.7x19.7	100	8.79	12.13	20.92	99.55	18.0	220
PBD659-B120	15.7x19.7	200	8.79	12.13	20.92	220.01	36.0	441
PBD659-B150	15.7x19.7	250	8.79	12.13	20.92	170.01	45.0	441
PBD659-BC60	19.7x25.6	100	15.27	18.52	33.79	86.67	18.0	220
PBD659-BC120	19.7x25.6	200	15.27	18.52	33.79	207.14	36.0	441
PBD659-BC150	19.7x25.6	250	15.27	18.52	33.79	157.14	45.0	441
PBD659-BC300	19.7x25.6	500	15.27	18.52	33.79	568.52	90.0	1102
PBD659-CC60	23.6x29.5	100	23.21	25.35	48.56	71.90	18.0	220
PBD659-CC120	23.6x29.5	200	23.21	25.35	48.56	192.37	36.0	441
PBD659-CC150	23.6x29.5	250	23.21	25.35	48.56	142.37	45.0	441
PBD659-CC300	23.6x29.5	500	23.21	25.35	48.56	553.75	90.0	1102
PBD659-CC600	23.6x29.5	1000	23.21	32.41	55.61	597.85	180.0	1653

PBD659 with Open Platter (304 / 316L)

Type	Dimensions [inch]	Max. load (3)	Preload top section (4)	Preload weighing pan (5)	Preload ex works (6)	Mech. preload reserve (7)	Zero set range (8)	Max. load range (1)
PBD659-QA6	9x9	10	1.57	2.65	4.22	10.03	1.8	24
PBD659-A6	9.5x11.8	10	1.75	3.31	5.06	9.19	1.8	24
PBD659-A12	9.5x11.8	20	1.75	3.31	5.06	23.44	3.6	49
PBD659-A15	9.5x11.8	25	1.75	3.31	5.06	18.44	4.5	49
PBD659-QB12	12x12	20	3.13	3.97	7.10	21.41	3.6	49
PBD659-QB15	12x12	25	3.13	3.97	7.10	16.41	4.5	49
PBD659-QB30	12x12	50	3.13	3.97	7.10	75.18	9.0	132
PBD659-QB60	12x12	100	3.13	3.97	7.10	113.37	18.0	220
PBD659-BB30	11.8x15.7	50	4.41	5.07	9.48	72.80	9.0	132
PBD659-BB60	11.8x15.7	100	4.41	5.07	9.48	110.98	18.0	220
PBD659-B30	15.7x19.7	50	8.79	12.35	21.14	61.14	9.0	132
PBD659-B60	15.7x19.7	100	8.79	12.35	21.14	99.33	18.0	220
PBD659-B120	15.7x19.7	200	8.79	12.35	21.14	219.79	36.0	441
PBD659-B150	15.7x19.7	250	8.79	12.35	21.14	169.79	45.0	441

PBD659 with No Platter

Type	Dimensions [inch]	Max. load (3)	Preload top section (4)	Preload weighing pan (5)	Preload ex works (6)	Mech. preload reserve (7)	Zero set range (8)	Max. load range (1)
PBD659-QA3	9x9	5	1.57	0	1.57	17.68	0.9	24
PBD659-QA6	9x9	10	1.57	0	1.57	12.68	1.8	24
PBD659-A3	9.5x11.8	5	1.75	0	1.75	17.50	0.9	24
PBD659-A6	9.5x11.8	10	1.75	0	1.75	12.50	1.8	24
PBD659-A12	9.5x11.8	20	1.75	0	1.75	26.75	3.6	49
PBD659-A15	9.5x11.8	25	1.75	0	1.75	21.75	4.5	49
PBD659-QB12	12x12	20	3.13	0	3.13	25.37	3.6	49
PBD659-QB15	12x12	25	3.13	0	3.13	20.37	4.5	49
PBD659-QB30	12x12	50	3.13	0	3.13	79.15	9.0	132
PBD659-QB60	12x12	100	3.13	0	3.13	117.33	18.0	220
PBD659-BB30	11.8x15.7	50	4.41	0	4.41	77.87	9.0	132
PBD659-BB60	11.8x15.7	100	4.41	0	4.41	116.06	18.0	220
PBD659-B30	15.7x19.7	50	8.79	0	8.79	73.49	9.0	132
PBD659-B60	15.7x19.7	100	8.79	0	8.79	111.67	18.0	220
PBD659-B120	15.7x19.7	200	8.79	0	8.79	232.13	36.0	441
PBD659-B150	15.7x19.7	250	8.79	0	8.79	182.13	45.0	441
PBD659-BC60	19.7x25.6	100	15.27	0	15.27	105.19	18.0	220
PBD659-BC120	19.7x25.6	200	15.27	0	15.27	335.89	36.0	551
PBD659-BC150	19.7x25.6	250	15.27	0	15.27	285.89	45.0	551
PBD659-BC300	19.7x25.6	500	15.27	0	15.27	587.04	90.0	1102
PBD659-CC60	23.6x29.5	100	23.21	0	23.21	97.26	18.0	220
PBD659-CC120	23.6x29.5	200	23.21	0	23.21	327.95	36.0	551
PBD659-CC150	23.6x29.5	250	23.21	0	23.21	277.95	45.0	551
PBD659-CC300	23.6x29.5	500	23.21	0	23.21	579.11	90.0	1102
PBD659-CC600	23.6x29.5	1000	23.21	0	23.21	630.26	180.0	1653

5.6 Accessories

Column

Article #	Designation	Description
30676281	Column open 330 mm / 13"	Fits for platform sizes
30676282	Column open 660 mm / 26"	Fits for all platform size
30676283	Column open 900 mm / 35.4"	Fits for all platform sizes larger than A-Size
30676284	Column closed 330 mm / 13"	Fits for platform sizes
30676285	Column closed 660 mm / 26"	Fits for all platform size
30676286	Column closed 900 mm / 35.4"	Fits for all platform sizes larger than A-Size

Stainless Steel Cart

Article #	Designation	Description
72225939	Stainless steel cart BC	Fits for 500 × 650 mm platform
72225940	Stainless steel cart CC	Fits for 600 × 800 mm platform

Roller Track

Article #	Designation	Description
30253326	Roller track 400 × 500 mm / 15.7" × 19.7" stainless steel	Fits for 400 x 500 mm platform. Roll to short side of platform
30253328	Roller track 500 × 650 mm / 19.7" × 25.6" stainless steel	Fits for 500 x 650 mm platform. Roll to short side of platform
30253330	Roller track 600 × 800 mm / 23.6" × 31.5" stainless steel	Fits for 600 x 800 mm platform. Roll to short side of platform
30253327	Roller track 400 × 500 mm / 15.7" × 19.7" stainless steel	Fits for 400 x 500 mm platform. Roll to long side of platform
30253329	Roller track 500 × 650 mm / 19.7" × 25.6" stainless steel	Fits for 500 x 650 mm platform. Roll to long side of platform
30253331	Roller track 600 × 800 mm / 23.6" × 31.5" stainless steel	Fits for 600 x 800 mm platform. Roll to short side of platform

Front Mount Bracket

Article #	Designation	Description
30676290	Front mount bracket	Fit for ICS4_9 front mount
30676291	Front mount bracket	Fit for ICS689 front mount

Load Cell Extension Cable

Article #	Designation	Description
22023696	Cable M12 RS422 Extension 3m, 2 M12 plugs	Load cell extension cables for the PBD659 platforms
30024759	Cable M12 RS422 SICSPRO Extens. 10 m, 2 M12 plugs	Load cell extension cables for the PBD659 platforms

SICSPRO to IDNet Converter

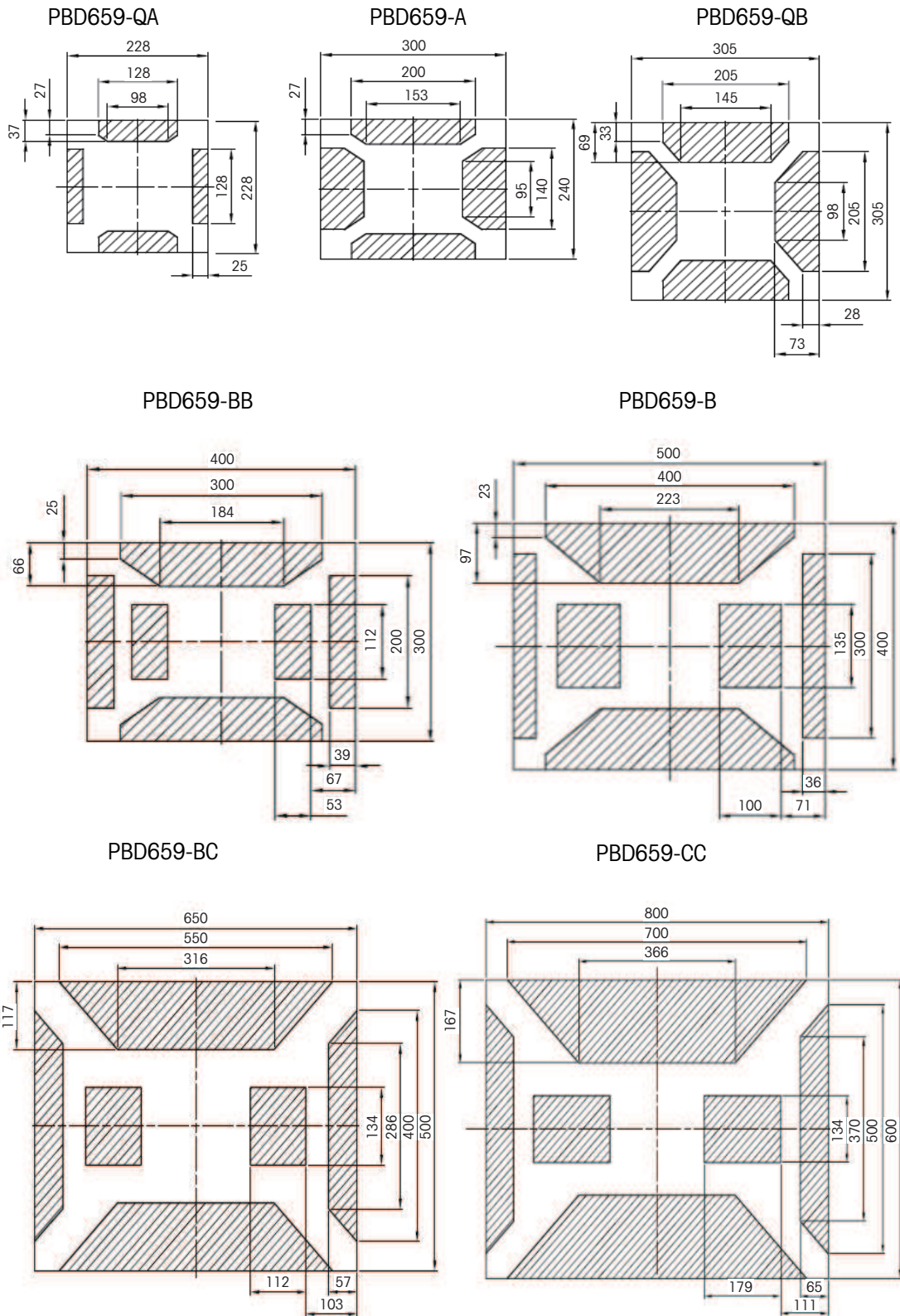
Article #	Designation	Description
22026963	ACC409	Adapter to convert SICSPRO signal into IDNet

6 Mounting Possibilities

The PBD659 supports mounting on stable device. In case drilling on the weighing platform is required, follow the drilling pattern below.

NOTE: The shadow areas are where drilling on the weighing platform is allowed.

Measured in [mm]



METTLER TOLEDO Service

Gratulerar till valet av kvaliteten och precisionen hos METTLER TOLEDO. Korrekt användning av din nya utrustning enligt denna bruksanvisning och regelbunden kalibrering och underhåll av vårt fabriksutbildade service-team säkerställer tillförlitlig och exakt drift för att skydda din investering. Kontakta oss för ett serviceavtal skräddarsytt till dina behov och din budget. Mer information finns på ► www.mt.com/service.

Det finns flera viktiga sätt att säkerställa att du maximerar prestandan på din investering:

- 1 **Registrera din produkt:** Du kan registrera produkten på www.mt.com/productregistration så att vi kan kontakta dig om förbättringar, uppdateringar och viktiga aviseringar gällande din produkt.
- 2 **Kontakta METTLER TOLEDO för service:** Värdet på ett mått är proportionellt till dess exakthet – en våg som inte följer specifikationerna kan försämma kvaliteten, minska nyttan och öka bördan. Service i rätt tid från METTLER TOLEDO säkerställer exaktheten och optimerar klartid och utrustningens livslängd.
 - ➔ **Installation, konfiguration, integration och utbildning:** Våra servicerepresentanter är fabriksutbildade experter för vägningsutrustning. Vi säkerställer att din vägningsutrustning är produktionsklar på ett kostnadseffektivt och tidsenligt sätt och att vår personal är utbildad för framgång.
 - ➔ **Dokumentation för första kalibrering:** Installationsmiljön och applikationskraven är unika för varje industrivåg, så prestandan måste testas och certifieras. Våra kalibreringstjänster och certifikat dokumenterar exakthet för att säkerställa produktionskvalitet och tillhandahålla ett kvalitetssystem med topprestanda.
 - ➔ **Periodiskt kalibreringsunderhåll:** Ett serviceavtal för kalibrering ger ständig tillförsikt i vägningsprocessen och dokumentation för överensstämmelse med kraven. Vi erbjuder en mångfald av serviceplaner som är utformade för att uppfylla dina behov och passa med din budget.

Register

1	Säkerhetsinstruktioner	3
1.1	Avsedd användning	3
1.2	Felaktig användning	3
1.3	Säkerhetsåtgärder	3
2	Inledning	4
2.1	Sortiment	4
2.2	Om denna bruksanvisning	4
2.3	Ytterligare dokument	4
3	Installation och drift	5
3.1	Ansluta vägningsplattformen till vägningsterminalen	5
3.2	Nivellering	6
3.3	Kontrollera vägningsplattformen	6
3.4	Använda vägningsplattformen	7
3.5	Installation, konfiguration, service och reparation	8
4	Underhåll	9
4.1	Noteringar om rengöring	9
4.2	Efterföljande behandling	9
4.3	Kassering	9
5	Tekniska data och driftgränser	10
5.1	Maximalt verifieringsvågintervall	10
5.2	Maximalt tillåten belastning	10
5.3	Tekniska data för lastcellen	11
5.4	Mått	11
5.5	Information om kapacitetsförbelastning	12
5.5.1	Förbelastningstabell i kilogram	13
5.5.2	Förbelastningstabell i pund	15
5.6	Tillbehör	17
6	Monteringsmöjligheter	18

1 Säkerhetsinstruktioner

1.1 Avsedd användning

PBD659 Vagningsplattformar är en del av ett modulärt vagningsystem bestående av en METTLER TOLEDO-vagningsterminal som indikator och minst en vagningsplattform.

- Använd vagningsplattformen endast för vagnning i enlighet med denna bruksanvisning.
- Vagningsplattformen är avsedd endast för användning inomhus.
- All annan användning betraktas som ej avsedd.

Legal metrologi

- Använd endast godkända vagningsplattformar för användning i legal metrologi.
- Vid användning i legal metrologi ansvarar driftbolaget för att observera alla nationella vikt- och måttkrav.
- Kontakta METTLER TOLEDO:s serviceorganisation för frågor rörande användning i lagliga handelsapplikationer.

1.2 Felaktig användning

- Använd inte vagningsterminalen för annat än vagningsarbeten.
- Använd inte vagningsplattformen i en annan miljö än vad som anges i --- MISSING LINK ---.
- Modifiera inte vagningsplattformen.
- Använd inte vagningsterminalen bortom gränserna för tekniska specifikationer.
- Använd inte vagningsplattformen för förvaring av varor.
- Undvik fallande gods på vagningsplattformen.
- Använd inte vagningsplattformen i farliga miljöer.

1.3 Säkerhetsåtgärder

- Endast personal som utbildats och kvalificerats av METTLER TOLEDO får installera och underhålla vagningsplattformen.
- Var försiktig när du transporterar eller lyfter tunga enheter.
- Koppla alltid bort vagningsplattformen från strömkällan innan du installerar, utför service, rengöring eller underhåll.
- Anslutningskabeln får inte kopplas bort från vagningsterminalen när den är strömsatt.
- Se till att vagningsplattformen har nått rumstemperatur innan du slår på strömförsörjningen.

2 Inledning

2.1 Sortiment

Denna bruksanvisning fokuserar på produktserien PBD659.

PBD659-serien erbjuder en mångfald av vägningsplattformar för att uppfylla dina behov. Den är möjliga att godkänna och erbjuder olika storlekar och kapacitet.

Typ	Lastplattans material	Vågramens material	Lastcellens design	Miljö-IP-skydd	Farogodkännande
PBD659	Rostfritt stål AISI304, tillval / Rostfritt stål AISI316L, tillval / Rostfritt stål AISI316L, öppen platta, tillval	Rostfritt stål AISI304	Rostfritt stål, hermetiskt kapslad	Torr, våt, IP68/IP69K	-

2.2 Om denna bruksanvisning



Denna bruksanvisning innehåller all information för operatören av produkten.

- Läs denna bruksanvisning noga före användning.
- Bevara denna bruksanvisning för framtida referens.
- Vidarebefordra denna bruksanvisning till eventuell framtida ägare eller användare av produkten.

2.3 Ytterligare dokument

Utöver denna utskrivna bruksanvisning kan du ladda ner följande dokument från ► www.mf.com:

- Broschyr
- Installationsinformation (för utbildad personal under kontroll av driftbolaget)
- Typgodkännandedokument

Ladda ner certifikat

Certifikat för US, Kanada kan laddas ner från

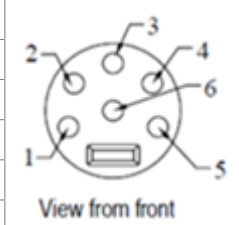
► <https://www.mf.com/us/en/home/search/compliance.html/compliance/>.

3 Installation och drift

3.1 Ansluta vägningsplattformen till vägningsterminalen

PBD659-vägningsplattformarna är utformade för användning med digitala METTLER TOLEDO-vägningsterminaler.

- Ansluta vägningsplattformens kabel till vägningsterminalen.

Stift	RS-422	Anslutningsuttag, 6 stift
1	RXD+	
2	RXD-	
3	TXD+	
4	VCC	
5	GND	
6	TXD-	

👉 Skanna QR-koden för att se videon

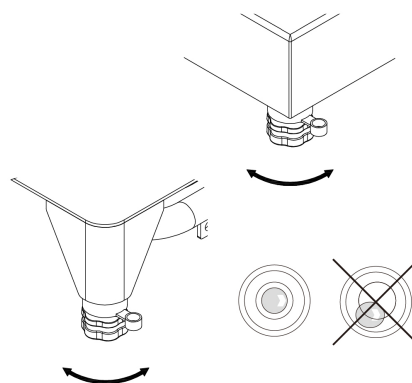


3.2 Nivellering

För att leverera korrekta vägningsresultat måste vägningsplattformen stå helt horisontellt. Vägningsplattformen måste nivelleras under den inledande installation och när dess plats byts.

- 1 Skruva på vägningsplattformens justerbara fötter tills luftbubblan i vattenpasset befinner sig i den inre cirkeln.
- 2 Dra åt de justerbara fötternas låsmuttrar.

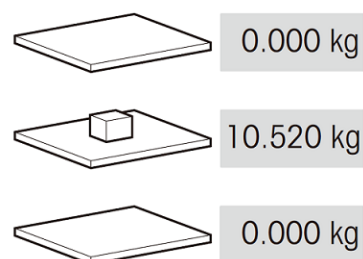
👉 Skanna QR-koden för att se videon



3.3 Kontrollera vägningsplattformen

Funktionskontroll

- 1 Se till att vägningsplattformen är ansluten till en vägningsterminal och att vägningsterminalen är påslagen.
- 2 Se till att inga föremål befinner sig på vägningsplattformen och att vägningsterminalens display visar 0.
- 3 Lägg ett föremål på vägningsplattformen. Vägningsterminalen måste visa ett annat värde än 0.
- 4 Ta bort föremålet från vägningsplattformen. Vägningsterminalen måste återgå till 0.



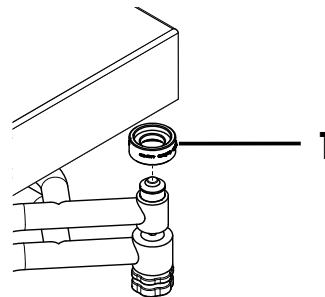
Verifikationstest

Se bruksanvisningen till den anslutna vägningsterminalen för ett verifikationstest. Om verifikationsplomberingen är bruten är inte längre verifikationen giltig.

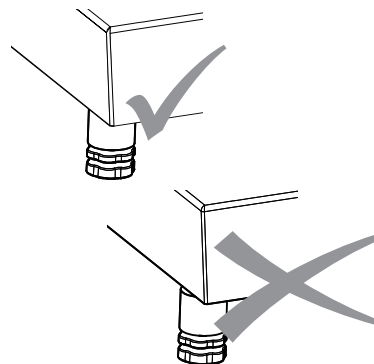
3.4 Använda vägningsplattformen

Observera följande för bästa vägningsresultat:

- Om vägningsplattformen levereras med transport-skyddsdynor (1) under lastplattan, ta bort transport-skyddsdynor innan du tar i bruk den.



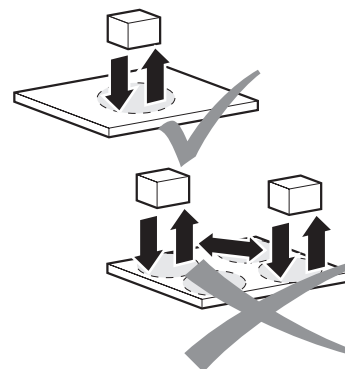
- Se till att lastplattan är korrekt på plats.



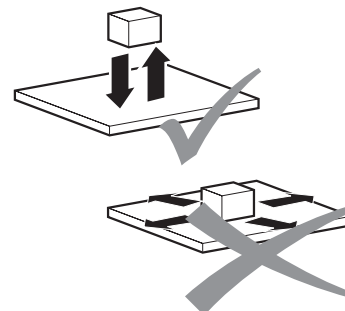
- Innan du använder enheten, vänta i minst fem minuter efter påslagning tills enheten värms upp helt.



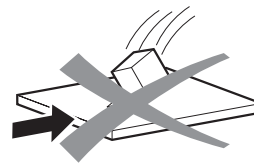
- Placera alltid vägningsprovet på samma position på vägningsplattformen för att uppnå bästa vägningsresultat.



- Undvik slipande och nötande procedurer.



- Undvik fallande last, stötar och sidokollisioner



3.5 Installation, konfiguration, service och reparation

För installation, konfiguration, service och reparation av vägningsplattformarna, ring METTLER TOLEDO service.

4 Underhåll

4.1 Noteringar om rengöring

Anteckning

Skada på vägningsplattformen på grund av felaktig användning av rengöringsmedel.

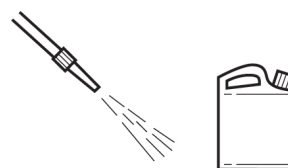
- Använd endast desinfektionsmedel och rengöringsmedel i enlighet med tillverkarens instruktioner.
- Använd inte mycket syrahaltiga, alkaliska eller klorhaltiga rengöringsmedel. Undvik ämnen med ett högt eller lågt pH-värde, eftersom ökad korrosionsrisk annars föreligger.
- Var särskilt försiktig när du rengör lastcellen.

Rengöringsprocedur

- Avlägsna smuts och avlagringar vid regelbundna intervall från utsidan och insidan av vägningsplattformen.
 - ➔ Proceduren beror på både typen av yta och miljöförhållandena som råder på installationsplatsen.

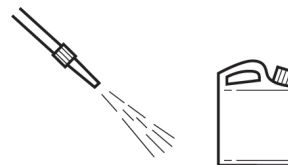
Rengöring i en våt miljö (versioner i rostfritt stål)

- Använd en vattenstråle upp till 80 °C / 176 °F och max. 80 bar, minsta avstånd 40 cm / 16".
- Använd hushållsrengöringsmedel.



Rengöring i en korrosiv miljö (versioner i rostfritt stål)

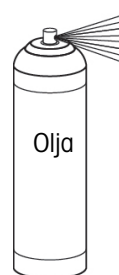
- Använd en vattenstråle.
 - Inre rengöring**, lastcell, lastplatta öppnad: upp till 60 °C / 140 °F och max. 2 bar, minsta avstånd 40 cm / 16".
 - Yttre rengöring**, lastplatta stängd: till 80 °C / 176 °F och max. 80 bar, minsta avstånd 40 cm / 16".
- Avlägsna korrosiva ämnen vid regelbundna intervall.
- Använd endast desinfektionsmedel och rengöringsmedel i enlighet med tillverkarens specifikationer och instruktioner.



4.2 Efterföljande behandling

Utför därefter följande behandling för att skydda vågen:

- Skölj vågen med klart vatten och avlägsna rengöringsmedel helt.
- Torka av vågen med en luddfri trasa.
- Med vågar i rostfritt stål, behandla insidan och utsidan med en olja som är lämplig för livsmedel.



4.3 Kassering

I överensstämmelse med det europeiska direktivet 2012/19/EU om avfall som utgörs av eller innehåller elektriska eller elektroniska produkter (WEEE) får denna enhet inte kastas bland hushållsavfall. Detta gäller även för länder utanför EU enligt respektive lands specifika krav.

Denna produkt ska lämnas in till en samlingsanläggning för elektrisk och elektronisk utrustning i enlighet med nationella bestämmelser. Vid eventuella frågor kontakter du ansvarig myndighet eller den leverantör som du köpte denna utrustning av. Om den här enheten lämnas vidare till andra parter måste innebörden i denna regel också följa med.



5 Tekniska data och driftgränser

5.1 Maximalt verifieringsvågintervall

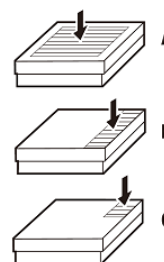
Max. verifieringsvågintervall [e] / OIML	Kapacitet							
	3 kg	6 kg	12 kg	30 kg	60 kg	120 kg	300 kg	600 kg
1 x 6000e Max / e [kg]	3 / 0.0005	6 / 0.001	12 / 0.002	30 / 0.005	60 / 0.01	120 / 0.02	300 / 0.05	600 / 0.2

Max. verifieringsvågintervall [d] / NTEP	Kapacitet							
	-	10 lb	20 lb	50 lb	100 lb	200 lb	500 lb	1000 lb
1 x 10000d Max / d [lb]	-	10 / 0.001	20 / 0.002	50 / 0.005	100 / 0.01	200 / 0.02	500 / 0.05	-
1 x 5000d Max / d [lb]	-	-	-	-	-	-	-	1000 / 0.2

5.2 Maximalt tillåten belastning

Alla vägningsplattformar är utrustade med ett överbelastningskydd. Med den robusta vågkonstruktionen kan du emellanåt överskrida plattformens nominella kapacitet utan skada. Den maximala statiska, säkra belastningen får aldrig överskridas.

- Observera följande driftgränser.



Modell	A - Mittbelastning	B - Sidoblastning	C - Hörnbelastning
PBD659-QA	50 kg / 110 lb	35 kg / 77 lb	20 kg / 44 lb
PBD659-A	50 kg / 110 lb	35 kg / 77 lb	20 kg / 44 lb
PBD659-QB	120 kg / 265 lb	80 kg / 176 lb	40 kg / 88 lb
PBD659-BB	120 kg / 265 lb	80 kg / 176 lb	40 kg / 88 lb
PBD659-B	220 kg / 485 lb	150 kg / 331 lb	80 kg / 176 lb
PBD659-BC	450 kg / 992 lb	350 kg / 772 lb	180 kg / 397 lb
PBD659-CC	750 kg / 1653 lb	400 kg / 882 lb	200 kg / 440 lb



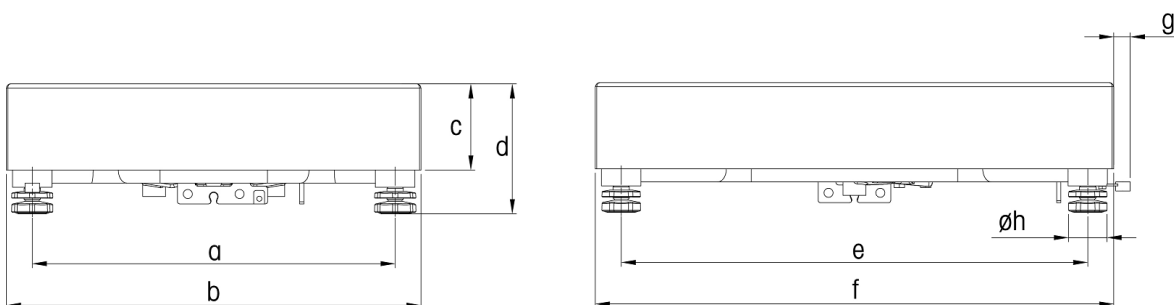
! VARNING

Undvik fallande laster, stötar och sidokollisioner.

5.3 Tekniska data för lastcellen

Rekommenderad spänning	V DC	10 - 12
Max. inducerad spänning	V DC	30
Godkännande	-	OIML / NTEP
Kabelmantel	-	PVC
IP-klass	-	IP68/IP69K

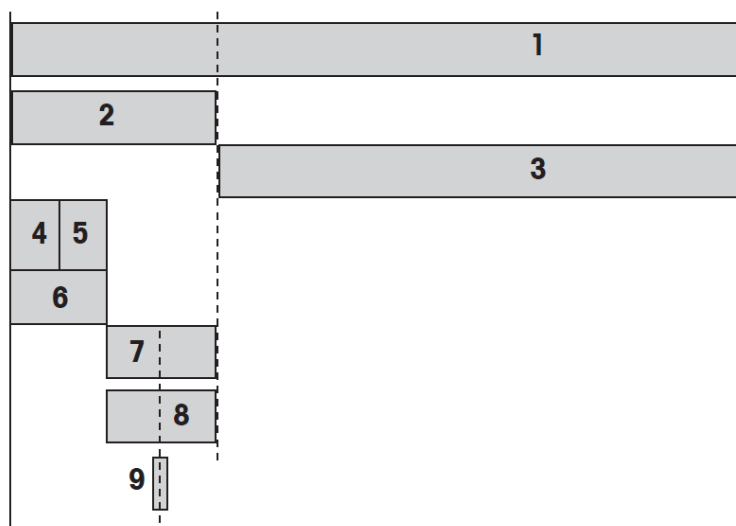
5.4 Mått



Mått		a	b	c	d*	e	f	g	h
PBD659-QA	mm	178	228	70	110	178	228	21	40
	tum	7,01	8,98	2,76	4,33	7,01	8,98	0,83	1,57
PBD659-A	mm	190	240	70	110	250	300	21	40
	tum	7,48	9,45	2,76	4,33	9,84	11,81	0,83	1,57
PBD659-QB	mm	255	305	70	110	255	305	21	40
	tum	10,04	12,01	2,76	4,33	10,04	12,01	0,83	1,57
PBD659-BB	mm	250	300	70	110	350	400	21	40
	tum	9,84	11,81	2,76	4,33	13,78	15,75	0,83	1,57
PBD659-B	mm	350	400	83	126	450	500	21	40
	tum	13,78	15,75	3,27	4,96	17,72	19,69	0,83	1,57
PBD659-BC	mm	450	500	90	134	600	650	21	40
	tum	17,72	19,69	3,54	5,28	23,62	25,59	0,83	1,57
PBD659-CC	mm	550	600	90	134	750	800	21	40
	tum	21,65	23,62	3,54	5,28	29,53	31,50	0,83	1,57
PBD659-CC600	mm	550	600	94	140,5	750	800	21	40
	tum	21,65	23,62	3,70	5,53	29,53	31,50	0,83	1,57

* : d= minsta plattformshöjd. Med vågens justerbara fötter kan plattformshöjden öka med maximalt 5 mm / 0,20 tum.

5.5 Information om kapacitetsförbelastning



1	Maximalt belastningsområde för lastcellen (E_{max})
2	Maximal förbelastning = Maximalt belastningsområde 1 – Maximal belastning 3
3	Maximal belastning = Maximalt belastningsområde 1 – Maximal förbelastning 2
4	Förbelastning övre sektion
5	Förbelastning vågskål
6	Förbelastning ex works = Förbelastning övre sektion 4 + Förbelastning vågskål 5
7	Mekanisk förbelastningsreserv = Maximal förbelastning 2 – Förbelastning ex works 6
8	Det nollinställda området (tillkoppling) kan ställas in. Det nollinställda området måste ligga inom den maximala förbelastningen. Det nollinställda området kan uppgå till max. 18 % av den maximala belastningen.
9	Nollinställt område $\pm 2\%$ av den maximala belastningen

5.5.1 Förbelastningstabell i kilogram

PBD659 med standardplatta (304 / 316L)

Typ	Mått [mm]	Max. belastning (3)	Förbelastning övre sektion (4)	Förbelastning vågskål (5)	Förbelastning ex works (6)	Mek. Förbelastningsreserv (7)	Nol-linställt område (8)	Max. belastningsområde (1)
PBD659-QA3	228x228	3	0,71	1,90	2,61	5,39	0,54	11
PBD659-QA6	228x228	6	0,71	1,90	2,61	2,39	1,08	11
PBD659-A3	240x300	3	0,80	2,40	3,20	4,80	0,54	11
PBD659-A6	240x300	6	0,80	2,40	3,20	1,80	1,08	11
PBD659-A12	240x300	12	0,80	2,40	3,20	6,80	2,16	22
PBD659-A15	240x300	15	0,80	2,40	3,20	3,80	2,70	22
PBD659-QB12	305x305	12	1,42	2,80	4,22	5,78	2,16	22
PBD659-QB15	305x305	15	1,42	2,80	4,22	2,78	2,70	22
PBD659-QB30	305x305	30	1,42	2,80	4,22	25,78	5,40	60
PBD659-QB60	305x305	60	1,42	2,80	4,22	35,78	10,80	100
PBD659-BB30	300x400	30	2,00	3,50	5,50	24,50	5,40	60
PBD659-BB60	300x400	60	2,00	3,50	5,50	34,50	10,80	100
PBD659-B30	400x500	30	3,99	5,50	9,49	20,51	5,40	60
PBD659-B60	400x500	60	3,99	5,50	9,49	30,51	10,80	100
PBD659-B120	400x500	120	3,99	5,50	9,49	70,51	21,60	200
PBD659-B150	400x500	150	3,99	5,50	9,49	40,51	27,00	200
PBD659-BC60	500x650	60	6,93	8,40	15,33	24,67	10,80	100
PBD659-BC120	500x650	120	6,93	8,40	15,33	64,67	21,60	200
PBD659-BC150	500x650	150	6,93	8,40	15,33	34,67	27,00	200
PBD659-BC300	500x650	300	6,93	8,40	15,33	184,67	54,00	500
PBD659-CC60	600x800	60	10,53	11,50	22,03	17,97	10,80	100
PBD659-CC120	600x800	120	10,53	11,50	22,03	57,97	21,60	200
PBD659-CC150	600x800	150	10,53	11,50	22,03	27,97	27,00	200
PBD659-CC300	600x800	300	10,53	11,50	22,03	177,97	54,00	500
PBD659-CC600	600x800	600	10,53	14,70	25,23	124,77	108,00	750

PBD659 med öppen platta (304 / 316L)

Typ	Mått [mm]	Max. belastning (3)	Förbelastning övre sektion (4)	Förbelastning vågskål (5)	Förbelastning ex works (6)	Mek. Förbelastningsreserv (7)	Nol-linställt område (8)	Max. belastningsområde (1)
PBD659-QA3	228x228	3	0,71	1,20	1,91	6,09	0,54	11
PBD659-QA6	228x228	6	0,71	1,20	1,91	3,09	1,08	11
PBD659-A3	240x300	3	0,80	1,50	2,30	5,70	0,54	11
PBD659-A6	240x300	6	0,80	1,50	2,30	2,70	1,08	11
PBD659-A12	240x300	12	0,80	1,50	2,30	7,70	2,16	22
PBD659-A15	240x300	15	0,80	1,50	2,30	4,70	2,70	22
PBD659-QB12	305x305	12	1,42	1,80	3,22	6,78	2,16	22
PBD659-QB15	305x305	15	1,42	1,80	3,22	3,78	2,70	22
PBD659-QB30	305x305	30	1,42	1,80	3,22	26,78	5,40	60
PBD659-QB60	305x305	60	1,42	1,80	3,22	36,78	10,80	100
PBD659-BB30	300x400	30	2,00	2,30	4,30	25,70	5,40	60

Typ	Mått [mm]	Max. belastning (3)	Förbelastning övre sektion (4)	Förbelastning vågskål (5)	Förbelastning ex works (6)	Mek. Förbelastningsreserv (7)	Nol-linställt område (8)	Max. belastningsområde (1)
PBD659-BB60	300x400	60	2,00	2,30	4,30	35,70	10,80	100
PBD659-B30	400x500	30	3,99	5,60	9,59	20,41	5,40	60
PBD659-B60	400x500	60	3,99	5,60	9,59	30,41	10,80	100
PBD659-B120	400x500	120	3,99	5,60	9,59	70,41	21,60	200
PBD659-B150	400x500	150	3,99	5,60	9,59	40,41	27,00	200

PBD659 utan platta

Typ	Mått [mm]	Max. belastning (3)	Förbelastning övre sektion (4)	Förbelastning vågskål (5)	Förbelastning ex works (6)	Mek. Förbelastningsreserv (7)	Nol-linställt område (8)	Max. belastningsområde (1)
PBD659-QA3	228x228	3	0,71	0	0,71	7,29	0,54	11
PBD659-QA6	228x228	6	0,71	0	0,71	4,29	1,08	11
PBD659-A3	240x300	3	0,80	0	0,80	7,20	0,54	11
PBD659-A6	240x300	6	0,80	0	0,80	4,20	1,08	11
PBD659-A12	240x300	12	0,80	0	0,80	9,20	2,16	22
PBD659-A15	240x300	15	0,80	0	0,80	6,20	2,70	22
PBD659-QB12	305x305	12	1,42	0	1,42	8,58	2,16	22
PBD659-QB15	305x305	15	1,42	0	1,42	5,58	2,70	22
PBD659-QB30	305x305	30	1,42	0	1,42	28,58	5,40	60
PBD659-QB60	305x305	60	1,42	0	1,42	38,58	10,80	100
PBD659-BB30	300x400	30	2,00	0	2,00	28,00	5,40	60
PBD659-BB60	300x400	60	2,00	0	2,00	38,00	10,80	100
PBD659-B30	400x500	30	3,99	0	3,99	26,01	5,40	60
PBD659-B60	400x500	60	3,99	0	3,99	36,01	10,80	100
PBD659-B120	400x500	120	3,99	0	3,99	76,01	21,60	200
PBD659-B150	400x500	150	3,99	0	3,99	46,01	27,00	200
PBD659-BC60	500x650	60	6,93	0	6,93	33,07	10,80	100
PBD659-BC120	500x650	120	6,93	0	6,93	123,07	21,60	250
PBD659-BC150	500x650	150	6,93	0	6,93	93,07	27,00	250
PBD659-BC300	500x650	300	6,93	0	6,93	193,07	54,00	500
PBD659-CC60	600x800	60	10,53	0	10,53	29,47	10,80	100
PBD659-CC120	600x800	120	10,53	0	10,53	119,47	21,60	250
PBD659-CC150	600x800	150	10,53	0	10,53	89,47	27,00	250
PBD659-CC300	600x800	300	10,53	0	10,53	189,47	54,00	500
PBD659-CC600	600x800	600	10,53	0	10,53	139,47	108,00	750

5.5.2 Förbelastningstabell i pund

PBD659 med standardplatta (304 / 316L)

Typ	Mått [tum]	Max. belastning (3)	Förbelastning övre sektion (4)	Förbelastning vågskål (5)	Förbelastning ex works (6)	Mek. Förbelastnings-reserv (7)	Nol-linställt område (8)	Max. belastnings-område (1)
PBD659-QA6	9x9	10	1,57	4,19	5,76	8,49	1,8	24
PBD659-A6	9,5x11,8	10	1,75	5,29	7,05	7,20	1,8	24
PBD659-A12	9,5x11,8	20	1,75	5,29	7,05	21,46	3,6	49
PBD659-A15	9,5x11,8	25	1,75	5,29	7,05	16,46	4,5	49
PBD659-QB12	12x12	20	3,13	6,17	9,30	19,20	3,6	49
PBD659-QB15	12x12	25	3,13	6,17	9,30	14,20	4,5	49
PBD659-QB30	12x12	50	3,13	6,17	9,30	72,98	9,0	132
PBD659-QB60	12x12	100	3,13	6,17	9,30	111,16	18,0	220
PBD659-BB30	11,8x15,7	50	4,41	7,72	12,12	70,15	9,0	132
PBD659-BB60	11,8x15,7	100	4,41	7,72	12,12	108,34	18,0	220
PBD659-B30	15,7x19,7	50	8,79	12,13	20,92	61,36	9,0	132
PBD659-B60	15,7x19,7	100	8,79	12,13	20,92	99,55	18,0	220
PBD659-B120	15,7x19,7	200	8,79	12,13	20,92	220,01	36,0	441
PBD659-B150	15,7x19,7	250	8,79	12,13	20,92	170,01	45,0	441
PBD659-BC60	19,7x25,6	100	15,27	18,52	33,79	86,67	18,0	220
PBD659-BC120	19,7x25,6	200	15,27	18,52	33,79	207,14	36,0	441
PBD659-BC150	19,7x25,6	250	15,27	18,52	33,79	157,14	45,0	441
PBD659-BC300	19,7x25,6	500	15,27	18,52	33,79	568,52	90,0	1102
PBD659-CC60	23,6x29,5	100	23,21	25,35	48,56	71,90	18,0	220
PBD659-CC120	23,6x29,5	200	23,21	25,35	48,56	192,37	36,0	441
PBD659-CC150	23,6x29,5	250	23,21	25,35	48,56	142,37	45,0	441
PBD659-CC300	23,6x29,5	500	23,21	25,35	48,56	553,75	90,0	1102
PBD659-CC600	23,6x29,5	1000	23,21	32,41	55,61	597,85	180,0	1653

PBD659 med öppen platta (304 / 316L)

Typ	Mått [tum]	Max. belastning (3)	Förbelastning övre sektion (4)	Förbelastning vågskål (5)	Förbelastning ex works (6)	Mek. Förbelastnings-reserv (7)	Nol-linställt område (8)	Max. belastnings-område (1)
PBD659-QA6	9x9	10	1,57	2,65	4,22	10,03	1,8	24
PBD659-A6	9,5x11,8	10	1,75	3,31	5,06	9,19	1,8	24
PBD659-A12	9,5x11,8	20	1,75	3,31	5,06	23,44	3,6	49
PBD659-A15	9,5x11,8	25	1,75	3,31	5,06	18,44	4,5	49
PBD659-QB12	12x12	20	3,13	3,97	7,10	21,41	3,6	49
PBD659-QB15	12x12	25	3,13	3,97	7,10	16,41	4,5	49
PBD659-QB30	12x12	50	3,13	3,97	7,10	75,18	9,0	132
PBD659-QB60	12x12	100	3,13	3,97	7,10	113,37	18,0	220
PBD659-BB30	11,8x15,7	50	4,41	5,07	9,48	72,80	9,0	132
PBD659-BB60	11,8x15,7	100	4,41	5,07	9,48	110,98	18,0	220
PBD659-B30	15,7x19,7	50	8,79	12,35	21,14	61,14	9,0	132
PBD659-B60	15,7x19,7	100	8,79	12,35	21,14	99,33	18,0	220
PBD659-B120	15,7x19,7	200	8,79	12,35	21,14	219,79	36,0	441

Typ	Mått [tum]	Max. be- last- ning (3)	Förbe- lastning övre sektion (4)	Förbelast- ning vågskål (5)	Förbe- lastning ex works (6)	Mek. För- belast- nings- reserv (7)	Nol- linställt område (8)	Max. be- last- nings- område (1)
PBD659-B150	15,7x19,7	250	8,79	12,35	21,14	169,79	45,0	441

PBD659 utan platta

Typ	Mått [tum]	Max. be- last- ning (3)	Förbe- lastning övre sektion (4)	Förbelast- ning vågskål (5)	Förbe- lastning ex works (6)	Mek. För- belast- nings- reserv (7)	Nol- linställt område (8)	Max. be- last- nings- område (1)
PBD659-QA3	9x9	5	1,57	0	1,57	17,68	0,9	24
PBD659-QA6	9x9	10	1,57	0	1,57	12,68	1,8	24
PBD659-A3	9,5x11,8	5	1,75	0	1,75	17,50	0,9	24
PBD659-A6	9,5x11,8	10	1,75	0	1,75	12,50	1,8	24
PBD659-A12	9,5x11,8	20	1,75	0	1,75	26,75	3,6	49
PBD659-A15	9,5x11,8	25	1,75	0	1,75	21,75	4,5	49
PBD659-QB12	12x12	20	3,13	0	3,13	25,37	3,6	49
PBD659-QB15	12x12	25	3,13	0	3,13	20,37	4,5	49
PBD659-QB30	12x12	50	3,13	0	3,13	79,15	9,0	132
PBD659-QB60	12x12	100	3,13	0	3,13	117,33	18,0	220
PBD659-BB30	11,8x15,7	50	4,41	0	4,41	77,87	9,0	132
PBD659-BB60	11,8x15,7	100	4,41	0	4,41	116,06	18,0	220
PBD659-B30	15,7x19,7	50	8,79	0	8,79	73,49	9,0	132
PBD659-B60	15,7x19,7	100	8,79	0	8,79	111,67	18,0	220
PBD659-B120	15,7x19,7	200	8,79	0	8,79	232,13	36,0	441
PBD659-B150	15,7x19,7	250	8,79	0	8,79	182,13	45,0	441
PBD659-BC60	19,7x25,6	100	15,27	0	15,27	105,19	18,0	220
PBD659-BC120	19,7x25,6	200	15,27	0	15,27	335,89	36,0	551
PBD659-BC150	19,7x25,6	250	15,27	0	15,27	285,89	45,0	551
PBD659-BC300	19,7x25,6	500	15,27	0	15,27	587,04	90,0	1102
PBD659-CC60	23,6x29,5	100	23,21	0	23,21	97,26	18,0	220
PBD659-CC120	23,6x29,5	200	23,21	0	23,21	327,95	36,0	551
PBD659-CC150	23,6x29,5	250	23,21	0	23,21	277,95	45,0	551
PBD659-CC300	23,6x29,5	500	23,21	0	23,21	579,11	90,0	1102
PBD659-CC600	23,6x29,5	1000	23,21	0	23,21	630,26	180,0	1653

5.6 Tillbehör

Pelare

Artikelnr	Beteckning	Beskrivning
30676281	Pelare öppen 330 mm / 13"	Passar för plattformstorlekar
30676282	Pelare öppen 660 mm / 26"	Passar för alla plattformstorlekar
30676283	Pelare öppen 900 mm / 35,4"	Passar för alla plattformstorlekar större än A-storlek
30676284	Pelare stängd 330 mm / 13"	Passar för plattformstorlekar
30676285	Pelare stängd 660 mm / 26"	Passar för alla plattformstorlekar
30676286	Pelare stängd 900 mm / 35,4"	Passar för alla plattformstorlekar större än A-storlek

Vagn i rostfritt stål

Artikelnr	Beteckning	Beskrivning
72225939	Vagn i rostfritt stål BC	Passar för plattform 500 × 650 mm
72225940	Vagn i rostfritt stål CC	Passar för plattform 600 × 800 mm

Rullbana

Artikelnr	Beteckning	Beskrivning
30253326	Rullbana 400 × 500 mm / 15,7" × 19,7" rostfritt stål	Passar för plattform 400 × 500 mm. Rulla till plattformens korta sida.
30253328	Rullbana 500 × 650 mm / 19,7" × 25,6" rostfritt stål	Passar för plattform 500 × 650 mm. Rulla till plattformens korta sida.
30253330	Rullbana 600 × 800 mm / 23,6" × 31,5" rostfritt stål	Passar för plattform 600 × 800 mm. Rulla till plattformens korta sida.
30253327	Rullbana 400 × 500 mm / 15,7" × 19,7" rostfritt stål	Passar för plattform 400 × 500 mm. Rulla till plattformens långa sida.
30253329	Rullbana 500 × 650 mm / 19,7" × 25,6" rostfritt stål	Passar för plattform 500 × 650 mm. Rulla till plattformens långa sida.
30253331	Rullbana 600 × 800 mm / 23,6" × 31,5" rostfritt stål	Passar för plattform 600 × 800 mm. Rulla till plattformens korta sida.

Främre monteringsfäste

Artikelnr	Beteckning	Beskrivning
30676290	Främre monteringsfäste	Passar för främre montering ICS4_9
30676291	Främre monteringsfäste	Passar för främre montering ICS689

Förlängningskabel till lastcell

Artikelnr	Beteckning	Beskrivning
22023696	Förlängningskabel, 3 m, 2 M12-kontakter	Förlängningskablar till lastcell för PBD659-plattformarna
30024759	Förlängningskabel, 10 m, 2 M12-kontakter	Förlängningskablar till lastcell för PBD659-plattformarna

SICSpro till IDNet-omvandlare

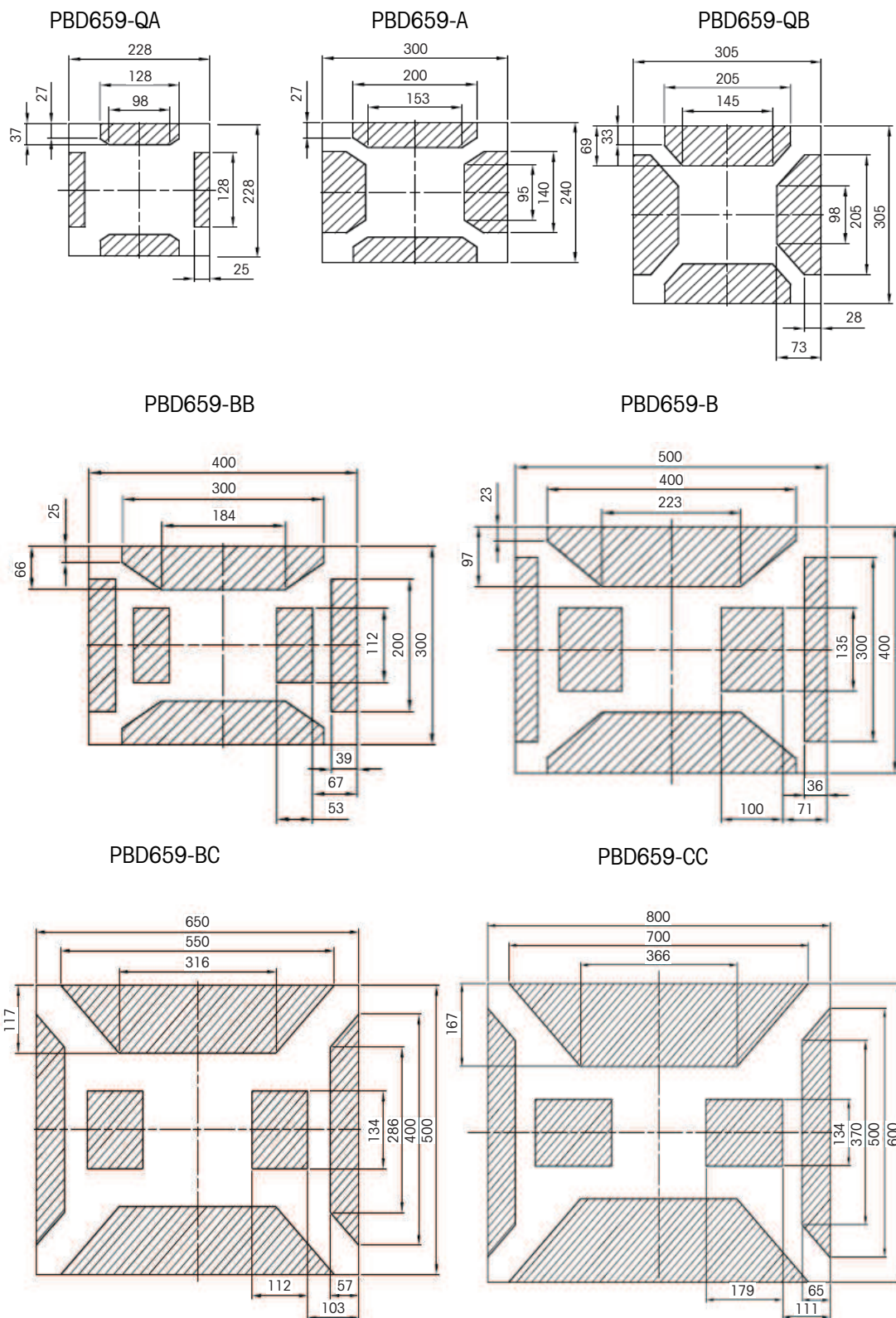
Artikelnr	Beteckning	Beskrivning
22026963	ACC409	Adapter för att omvandla SICSPro-signal till IDNet

6 Monteringsmöjligheter

PBD659 stöder montering på stabil anordning. Om borring på vägningsplattformen är nödvändig, följ borr-mönstret nedan.

OBS! På de skuggade områdena är borring tillåten på vägningsplattformen.

Mäts i [mm]



METTLER TOLEDO Service

Tillykke med dit nye præcise kvalitetsprodukt fra METTLER TOLEDO. Korrekt brug af dit nye udstyr i overensstemmelse med denne manual samt regelmæssig kalibrering og vedligeholdelse udført af vores uddannede servicemedarbejdere beskytter din investering og sikrer, at udstyret er pålideligt og nøjagtigt. Kontakt os for at høre mere om mulighederne for en skræddersyet serviceaftale, der passer til dit behov og budget. Du kan finde yderligere oplysninger på ► www.mt.com/service.

Du kan sikre, at din investering udnyttes maksimalt, på flere vigtige måder:

- 1 **Registrer dit produkt:** Vi opfordrer dig til at registrere dit produkt på www.mt.com/productregistration så vi kan kontakte dig om forbedringer, opdateringer og vigtige oplysninger vedrørende dit produkt.
- 2 **Kontakt METTLER TOLEDO vedrørende service:** Værdien af en måling er proportional med dens nøjagtighed – en vægt, der er uden for specifikationerne, kan medføre forringet kvalitet, reduceret indtjening og øget ansvar. Rettidig service fra METTLER TOLEDO sikrer nøjagtighed og optimerer oppe tiden og udstyrets levetid.
 - ➔ **Installation, konfiguration, integration og uddannelse:** Vores serviceteknikere er uddannet på fabrikken og er eksperter i vejestyr. Vi sikrer, at dit vejestyr er klar til produktion omkostningseffektivt og rettidigt, og at personalet er uddannet til at sikre succesfulde resultater.
 - ➔ **Dokumentation for indledende kalibrering:** Installationsmiljøet og kravene til anvendelsesområdet er unikke for hver enkelt industrivægt, så ydeevnen skal testes og certificeres. Vores kalibreringsydelser og certifikater dokumenterer nøjagtighed med det formål at sikre produktionskvalitet og levere et kvalitetssystem med dokumenteret ydeevne.
 - ➔ **Periodisk kalibreringsvedligeholdelse:** En serviceaftale om kalibrering sikrer, at du altid kan have tillid til din vejeprocess, og at du har dokumentation for overholdelse af kravene. Vi tilbyder mange forskellige typer af serviceordninger, der er tilrettelagt, så de opfylder dine behov og tager højde for dit budget.

Indholdsfortegnelse

1	Sikkerhedsanvisninger	3
1.1	Tilsluttet brug	3
1.2	Forkert brug	3
1.3	Sikkerhedsforanstaltninger	3
2	Introduktion	4
2.1	Sortiment	4
2.2	Om denne brugervejledning	4
2.3	Yderligere dokumenter	4
3	Installation og betjening	5
3.1	Tilslutning af vejeplatformen til vejeterminalen	5
3.2	Nivellering	6
3.3	Kontrol af vejeplatformene	6
3.4	Betjening af vejeplatformen	7
3.5	Installation, konfiguration, service og reparation	8
4	Vedligeholdelse	9
4.1	Bemærkninger vedrørende rengøring	9
4.2	Efterbehandling	9
4.3	Bortskaffelse	9
5	Tekniske data og driftsgrænser	10
5.1	Maksimalt verifikationsvægtinterval	10
5.2	Tilladt totalvægt	10
5.3	Tekniske data for vejecellen	11
5.4	Mål	11
5.5	Information om kapacitetsforbelastning	12
5.5.1	Forbelastningstabel i kilo	13
5.5.2	Forbelastningstabel i pound	15
5.6	Tilbehør	17
6	Monteringsmuligheder	18

1 Sikkerhedsanvisninger

1.1 Tilsigtet brug

Vejepplatforme PBD659 er en del af et modulopbygget vejesystem, der består af en METTLER TOLEDO-vejeterminal som indikator og mindst én vejepplatform.

- Brug kun vejepplatformen til vejning i overensstemmelse med denne vejledning.
- Vejepplatformen er udelukkende beregnet til indendørs brug.
- Enhver anden brug betragtes som utilsigtet.

Lovreguleret måling

- Brug kun godkendte vejepplatforme til lovreguleret måling.
- Ved brug til lovreguleret måling er driftsselskabet ansvarligt for at overholde alle nationale krav til vejning og måling.
- Kontakt METTLER TOLEDOS serviceorganisation i tilfælde af spørgsmål vedrørende brug i lovlige handelsapplikationer.

1.2 Forkert brug

- Brug ikke vejeterminalen til andet end vejning.
- Vejepplatformen må ikke anvendes i andre miljøer end dem, der er angivet i --- MISSING LINK ---.
- Undlad at foretage ændringer på vejepplatformen.
- Brug ikke vejeterminalen uden for de grænser, der er angivet i de tekniske specifikationer.
- Brug ikke vejepplatformen til opbevaring af varer.
- Undgå, at der falder varer ned på vejepplatformen.
- Brug ikke vejepplatformen i farlige miljøer.

1.3 Sikkerhedsforanstaltninger

- Vejepplatformen skal installeres og vedligeholdes af teknikere, der er uddannet og godkendt af METTLER TOLEDO.
- Vær forsigtig ved transport og løft af tunge enheder.
- Vejepplatformen skal altid kobles fra strømkilden, før installation, service, rengøring eller vedligeholdelse foretages.
- Tilslutningskablet kan muligvis ikke kobles fra vejeterminalen, mens strømmen er tilsluttet.
- Kontrollér, at vejepplatformen har rumtemperatur, før strømforsyningen tilsluttes.

2 Introduktion

2.1 Sortiment

Denne brugervejledning fokuserer på produktserien PBD659.

Serien PBD659 indeholder forskellige vejeplatforme, så du kan let finde en, der passer til dit behov. De kan godkendes og fås i forskellige størrelser og kapaciteter

Type	Vejepfadens materiale	Vægtrammens materiale	Vejecellens opbygning	Miljøets IP-klasse	Faregodkendelse
PBD659	Rustfrit stål AISI304, ekstratilbehør / Rustfrit stål AISI316L, ekstratilbehør / Rustfrit stål AISI316L, åben tallerken, ekstratilbehør	Rustfrit stål AISI304	Rustfrit stål, hermetisk forseglet	Tørt, vådt, IP68/IP69K	-

2.2 Om denne brugervejledning



Denne brugervejledning indeholder alle oplysninger til operatøren af produktet.

- Læs brugervejledningen omhyggeligt før brug.
- Gem brugervejledningen, så du har den til fremtidig reference.
- Giv brugervejledningen videre til en eventuel fremtidig ejer eller bruger af produktet.

2.3 Yderligere dokumenter

Ud over brugervejledningen kan du også downloade følgende dokumenter fra ► www.mt.com:

- Brochure
- Installationsoplysninger (til uddannet personale, der er under driftsselskabets kontrol)
- Typegodkendelsesdokumenter

Download af certifikat

US- og Canada-certifikater kan downloades fra

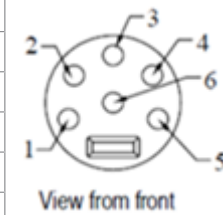
► <https://www.mt.com/us/en/home/search/compliance.html/compliance/>.

3 Installation og betjening

3.1 Tilslutning af vejeplatformen til vejeterminalen

Vejeplatformene PBD659 er designet til brug med digitale METTLER TOLEDO vejeterminaler.

- Tilslutning af vejeplatformkablet til vejeterminalen.

Ben	RS-422	Udtag, 6-benet
1	RXD+	
2	RXD-	
3	TXD+	
4	VCC	
5	GND	
6	TXD-	

👉 Scan QR-koden for at se videoen

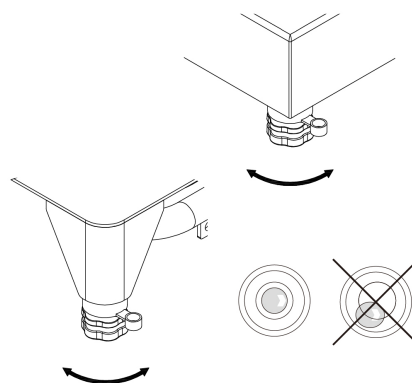


3.2 Nivellering

For at vejeplatformene skal kunne levere et præcist vandret vejeresultat, skal de være nivelleret nøjagtigt. Vejeplatformen skal nivelleres under den første installation og hver gang, den flyttes.

- 1 Drej på vejeplatformens justerbare fødder, indtil luftboblen i vaterpasset befinder sig i den inderste cirkel.
- 2 Spænd låsemøtrikkerne på de justerbare fødder.

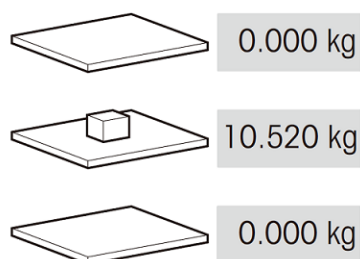
👉 **Scan QR-koden for at se videoen**



3.3 Kontrol af vejeplatformene

Funktionskontrol

- 1 Sørg for, at vejeplatformen er tilsluttet til en vejeterminal, og at vejeterminalen er tændt.
- 2 Sørg for, at vejeplatformen er uden vægt, og at displayet på vejeterminalen viser 0.
- 3 Fyld vægt på vejeplatformen. Vejeterminalen skal vise en værdi forskellig fra 0.
- 4 Fjern vægten fra vejeplatformen. Vejeterminalen skal returnere til 0.



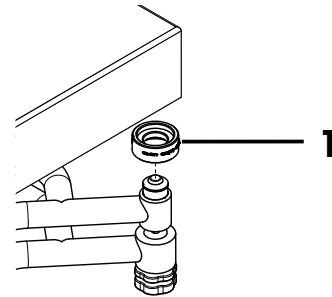
Verifikationstest

Oplysninger om verifikationstest findes i brugervejledningen til den tilsluttede vejeterminal. Hvis verifikationsseglet er brudt, er verifikationen ikke længere gyldig.

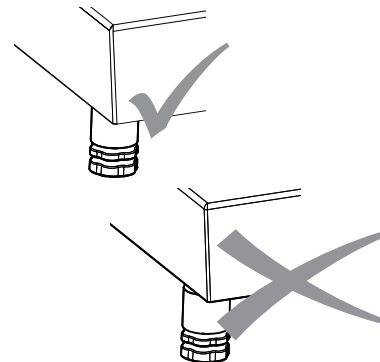
3.4 Betjening af vejeplatformen

For at opnå de bedst mulige vejeresultater skal følgende regler overholdes:

- Hvis vejningsplatformen leveres med transport beskyttelsespudder (1) under plastplader, skal du fjerne transport beskyttelsespudder, før du bruger den.



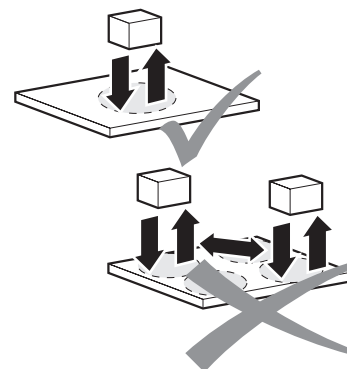
- Sørg for, at belastningspladen er korrekt på plads.



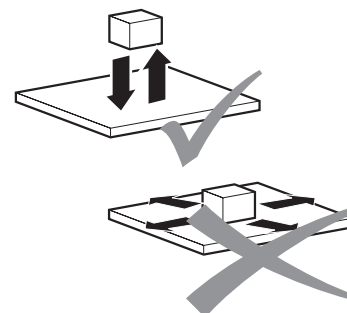
- Når du har tændt enheden, skal du vente mindst fem minutter, så den kan varme helt op, inden du tager den i brug.



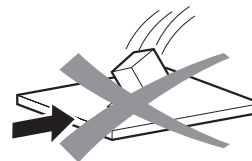
- For at opnå de bedst mulige vejeresultater skal det emne, der skal vejes, altid placeres det samme sted på vejeplatformen.



- Undgå processer, der har en slibende effekt eller medfører slitage.



- Undgå faldende belastninger, stød og sideværts påvirkninger.



3.5 Installation, konfiguration, service og reparation

Ring til METTLER TOLEDO service angående installation, konfiguration, service og reparation af vejeplatforme.

4 Vedligeholdelse

4.1 Bemærkninger vedrørende rengøring

Bemærk

Forkert brug af rengøringsmidler kan beskadige vejeplattormen.

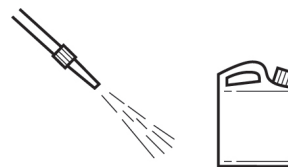
- Brug kun desinficerende midler og rengøringsmidler i overensstemmelse med producentens anvisninger.
- Brug ikke meget syreholdige, basiske eller klorholdige rengøringsmidler. Undgå midler med høj eller lav pH-værdi, da disse skaber øget risiko for korrosion.
- Vær særlig omhyggelig ved rengøring af vejecellen.

Rengøring

- Fjern regelmæssigt snavs og aflejringer på ydersiden og indersiden af vejeplattormen.
 - ➔ Fremgangsmåden afhænger både af overfladetyper og af de miljømæssige forhold på installationsstedet.

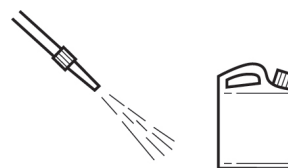
Rengøring i et vådt miljø (modeller i rustfrit stål)

- Rengør med vandstråle op til 80 °C / 176 °F og maks. 80 bar, minimumafstand 40 cm / 16".
- Brug rengøringsmidler til husholdningsbrug.



Rengøring i et korrosionsfremmende miljø (modeller i rustfrit stål)

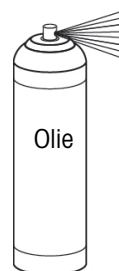
- Rengør med vandstråle.
 - Indvendig rengøring**, vejecelle, vejeplade åbnet: op til 60 °C / 140 °F og maks. 2 bar, minimumafstand 40 cm / 16".
 - Udvendig rengøring**, vejecelle lukket: op til 80 °C / 176 °F og maks. 80 bar, minimumafstand 40 cm / 16".
- Fjern regelmæssigt korrosionsfremmende stoffer.
- Brug kun desinficerende midler og rengøringsmidler i overensstemmelse med producentens specifikationer og anvisninger.



4.2 Efterbehandling

For at beskytte vægten skal følgende efterbehandling udføres:

- Skyl vægten med rent vand, og fjern rengøringsmidlet helt.
- Tør vægten af med en fnugfri klud.
- Behandl vægte af rustfrit stål indvendigt og udvendigt med olie, der er egnet til fødevarer.



4.3 Bortskaffelse

I overensstemmelse med EU-direktiv 2012/19/EU om affald af elektrisk og elektronisk udstyr (WEEE) må denne enhed ikke bortskaffes som husholdningsaffald. Dette gælder også for lande uden for EU, i henhold til deres specifikke krav.

Bortskaf venligst dette produkt i overensstemmelse med de lokale love og regler og på det indsamlingssted, der er beregnet til elektrisk og elektronisk udstyr. Hvis du har spørgsmål, bedes du kontakte de ansvarlige myndigheder eller den forhandler, hvor du har købt enheden. Hvis enheden overdrages til andre, skal der også relateres til indholdet i denne bestemmelse.



5 Tekniske data og driftsgrænser

5.1 Maksimalt verifikationsvægtinterval

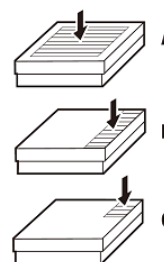
Maks. verifikationsvægtinterval [e] / OIML	Kapacitet							
	3 kg	6 kg	12 kg	30 kg	60 kg	120 kg	300 kg	600 kg
1 x 6000e Max / e [kg]	3 / 0.0005	6 / 0.001	12 / 0.002	30 / 0.005	60 / 0.01	120 / 0.02	300 / 0.05	600 / 0.2

Maks. verifikationsvægtinterval [d] / NTEP	Kapacitet							
	-	10 lb	20 lb	50 lb	100 lb	200 lb	500 lb	1000 lb
1 x 10000d Max / d [lb]	-	10 / 0.001	20 / 0.002	50 / 0.005	100 / 0.01	200 / 0.02	500 / 0.05	-
1 x 5000d Max / d [lb]	-	-	-	-	-	-	-	1000 / 0.2

5.2 Tilladt totalvægt

Alle vejplatforme er udstyret med overbelastningsbeskyttelse. Det robuste vægtdesign betyder, at platformens mærkekapacitet af og til kan overskrides, uden at der sker skader på enheden. Den maksimale sikre statiske belastning må aldrig overskrides.

- Følgende driftsgrænser skal overholdes.



Model	A - Centreret belastning	B - Belastning i en af siderne	C - Belastning i et af hjørnerne
PBD659-QA	50 kg / 110 lb	35 kg / 77 lb	20 kg / 44 lb
PBD659-A	50 kg / 110 lb	35 kg / 77 lb	20 kg / 44 lb
PBD659-QB	120 kg / 265 lb	80 kg / 176 lb	40 kg / 88 lb
PBD659-BB	120 kg / 265 lb	80 kg / 176 lb	40 kg / 88 lb
PBD659-B	220 kg / 485 lb	150 kg / 331 lb	80 kg / 176 lb
PBD659-BC	450 kg / 992 lb	350 kg / 772 lb	180 kg / 397 lb
PBD659-CC	750 kg / 1653 lb	400 kg / 882 lb	200 kg / 440 lb



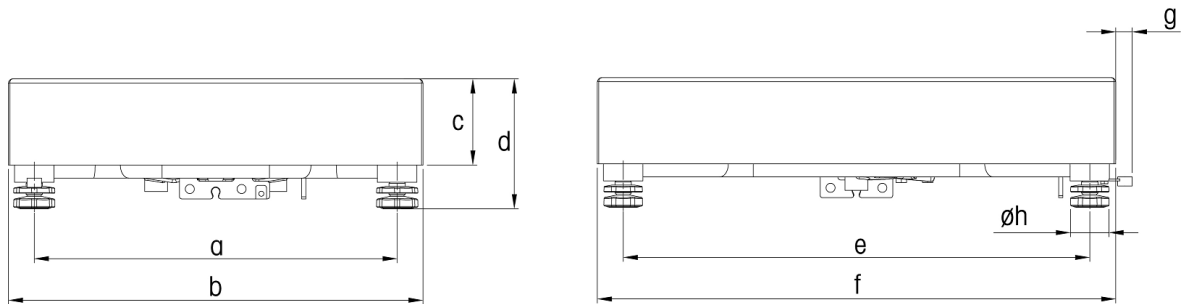
ADVARSEL

Undgå belastning som følge af tab af enheden, stødbelastning samt slag fra siden.

5.3 Tekniske data for vejecellen

Anbefalet spænding	V DC	10 - 12
Maks. magnetiseringsspænding	V DC	30
Godkendelse	-	OIML / NTEP
Kabelkappe	-	PVC
IP-klasse	-	IP68/IP69K

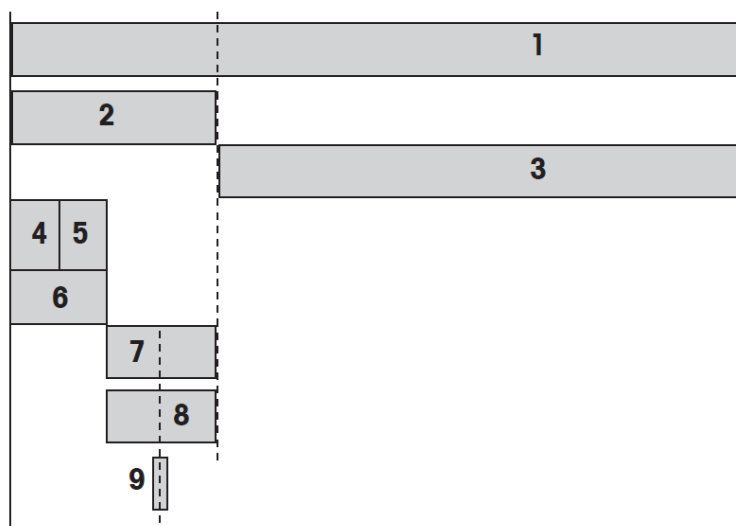
5.4 Mål



Mål		a	b	c	d*	e	f	g	h
PBD659-QA	mm	178	228	70	110	178	228	21	40
	inch	7,01	8,98	2,76	4,33	7,01	8,98	0,83	1,57
PBD659-A	mm	190	240	70	110	250	300	21	40
	inch	7,48	9,45	2,76	4,33	9,84	11,81	0,83	1,57
PBD659-QB	mm	255	305	70	110	255	305	21	40
	inch	10,04	12,01	2,76	4,33	10,04	12,01	0,83	1,57
PBD659-BB	mm	250	300	70	110	350	400	21	40
	inch	9,84	11,81	2,76	4,33	13,78	15,75	0,83	1,57
PBD659-B	mm	350	400	83	126	450	500	21	40
	inch	13,78	15,75	3,27	4,96	17,72	19,69	0,83	1,57
PBD659-BC	mm	450	500	90	134	600	650	21	40
	inch	17,72	19,69	3,54	5,28	23,62	25,59	0,83	1,57
PBD659-CC	mm	550	600	90	134	750	800	21	40
	inch	21,65	23,62	3,54	5,28	29,53	31,50	0,83	1,57
PBD659-CC600	mm	550	600	94	140,5	750	800	21	40
	inch	21,65	23,62	3,70	5,53	29,53	31,50	0,83	1,57

* : d= min. platformshøjde. Med de justerbare fødder kan platformshøjden øges med maks. 5 mm / 0,20".

5.5 Information om kapacitetsforbelastning



1	Maks. belastningsområde for vejecellen (E_{max})
2	Maks. forbelastning = Maks. belastningsområde 1 – Maks. belastning 3
3	Maks. belastning = Maks. belastningsområde 1 – Maks. forbelastning 2
4	Forbelastning, øverste område
5	Forbelastning, vejeglade
6	Forbelastning fra fabrikken = Forbelastning, øverste område 4 + Forbelastning, vejeglade 5
7	Mekanisk forbelastningsreserve = Maks. forbelastning 2 – Forbelastning fra fabrikken 6
8	Nulstillingsintervallet (tænding) kan indstilles. Nulstillingsintervallet skal ligge inden for den maksimale forbelastning. Nulstillingsintervallet må udgøre maks. 18 % af den maksimale belastning.
9	Nulstillingsintervallet ± 2 % af den maksimale belastning

5.5.1 Forbelastningstabel i kilo

PBD659 med standardtallerken (304 / 316L)

Type	Mål [mm]	Maks. belastning (3)	Forbelastning, øverste område (4)	Forbelastning, vejeplade (5)	Forbelastning fra fabrikken (6)	Mek. Forbelastningsreserve (7)	Nulstillingsinterval (8)	Maks. belastningsinterval (1)
PBD659-QA3	228x228	3	0,71	1,90	2,61	5,39	0,54	11
PBD659-QA6	228x228	6	0,71	1,90	2,61	2,39	1,08	11
PBD659-A3	240x300	3	0,80	2,40	3,20	4,80	0,54	11
PBD659-A6	240x300	6	0,80	2,40	3,20	1,80	1,08	11
PBD659-A12	240x300	12	0,80	2,40	3,20	6,80	2,16	22
PBD659-A15	240x300	15	0,80	2,40	3,20	3,80	2,70	22
PBD659-QB12	305x305	12	1,42	2,80	4,22	5,78	2,16	22
PBD659-QB15	305x305	15	1,42	2,80	4,22	2,78	2,70	22
PBD659-QB30	305x305	30	1,42	2,80	4,22	25,78	5,40	60
PBD659-QB60	305x305	60	1,42	2,80	4,22	35,78	10,80	100
PBD659-BB30	300x400	30	2,00	3,50	5,50	24,50	5,40	60
PBD659-BB60	300x400	60	2,00	3,50	5,50	34,50	10,80	100
PBD659-B30	400x500	30	3,99	5,50	9,49	20,51	5,40	60
PBD659-B60	400x500	60	3,99	5,50	9,49	30,51	10,80	100
PBD659-B120	400x500	120	3,99	5,50	9,49	70,51	21,60	200
PBD659-B150	400x500	150	3,99	5,50	9,49	40,51	27,00	200
PBD659-BC60	500x650	60	6,93	8,40	15,33	24,67	10,80	100
PBD659-BC120	500x650	120	6,93	8,40	15,33	64,67	21,60	200
PBD659-BC150	500x650	150	6,93	8,40	15,33	34,67	27,00	200
PBD659-BC300	500x650	300	6,93	8,40	15,33	184,67	54,00	500
PBD659-CC60	600x800	60	10,53	11,50	22,03	17,97	10,80	100
PBD659-CC120	600x800	120	10,53	11,50	22,03	57,97	21,60	200
PBD659-CC150	600x800	150	10,53	11,50	22,03	27,97	27,00	200
PBD659-CC300	600x800	300	10,53	11,50	22,03	177,97	54,00	500
PBD659-CC600	600x800	600	10,53	14,70	25,23	124,77	108,00	750

PBD659 med åben tallerken (304 / 316L)

Type	Mål [mm]	Maks. belastning (3)	Forbelastning, øverste område (4)	Forbelastning, vejeplade (5)	Forbelastning fra fabrikken (6)	Mek. Forbelastningsreserve (7)	Nulstillingsinterval (8)	Maks. belastningsinterval (1)
PBD659-QA3	228x228	3	0,71	1,20	1,91	6,09	0,54	11
PBD659-QA6	228x228	6	0,71	1,20	1,91	3,09	1,08	11
PBD659-A3	240x300	3	0,80	1,50	2,30	5,70	0,54	11
PBD659-A6	240x300	6	0,80	1,50	2,30	2,70	1,08	11
PBD659-A12	240x300	12	0,80	1,50	2,30	7,70	2,16	22
PBD659-A15	240x300	15	0,80	1,50	2,30	4,70	2,70	22
PBD659-QB12	305x305	12	1,42	1,80	3,22	6,78	2,16	22
PBD659-QB15	305x305	15	1,42	1,80	3,22	3,78	2,70	22
PBD659-QB30	305x305	30	1,42	1,80	3,22	26,78	5,40	60

Type	Mål [mm]	Maks. belastning (3)	Forbelastning, øverste område (4)	Forbelastning, vejeplade (5)	Forbelastning fra fabrikken (6)	Mek. Forbelastningsreserve (7)	Nulstillingsinterval (8)	Maks. belastningsinterval (1)
PBD659-QB60	305x305	60	1,42	1,80	3,22	36,78	10,80	100
PBD659-BB30	300x400	30	2,00	2,30	4,30	25,70	5,40	60
PBD659-BB60	300x400	60	2,00	2,30	4,30	35,70	10,80	100
PBD659-B30	400x500	30	3,99	5,60	9,59	20,41	5,40	60
PBD659-B60	400x500	60	3,99	5,60	9,59	30,41	10,80	100
PBD659-B120	400x500	120	3,99	5,60	9,59	70,41	21,60	200
PBD659-B150	400x500	150	3,99	5,60	9,59	40,41	27,00	200

PBD659 med ingen tallerken

Type	Mål [mm]	Maks. belastning (3)	Forbelastning, øverste område (4)	Forbelastning, vejeplade (5)	Forbelastning fra fabrikken (6)	Mek. Forbelastningsreserve (7)	Nulstillingsinterval (8)	Maks. belastningsinterval (1)
PBD659-QA3	228x228	3	0,71	0	0,71	7,29	0,54	11
PBD659-QA6	228x228	6	0,71	0	0,71	4,29	1,08	11
PBD659-A3	240x300	3	0,80	0	0,80	7,20	0,54	11
PBD659-A6	240x300	6	0,80	0	0,80	4,20	1,08	11
PBD659-A12	240x300	12	0,80	0	0,80	9,20	2,16	22
PBD659-A15	240x300	15	0,80	0	0,80	6,20	2,70	22
PBD659-QB12	305x305	12	1,42	0	1,42	8,58	2,16	22
PBD659-QB15	305x305	15	1,42	0	1,42	5,58	2,70	22
PBD659-QB30	305x305	30	1,42	0	1,42	28,58	5,40	60
PBD659-QB60	305x305	60	1,42	0	1,42	38,58	10,80	100
PBD659-BB30	300x400	30	2,00	0	2,00	28,00	5,40	60
PBD659-BB60	300x400	60	2,00	0	2,00	38,00	10,80	100
PBD659-B30	400x500	30	3,99	0	3,99	26,01	5,40	60
PBD659-B60	400x500	60	3,99	0	3,99	36,01	10,80	100
PBD659-B120	400x500	120	3,99	0	3,99	76,01	21,60	200
PBD659-B150	400x500	150	3,99	0	3,99	46,01	27,00	200
PBD659-BC60	500x650	60	6,93	0	6,93	33,07	10,80	100
PBD659-BC120	500x650	120	6,93	0	6,93	123,07	21,60	250
PBD659-BC150	500x650	150	6,93	0	6,93	93,07	27,00	250
PBD659-BC300	500x650	300	6,93	0	6,93	193,07	54,00	500
PBD659-CC60	600x800	60	10,53	0	10,53	29,47	10,80	100
PBD659-CC120	600x800	120	10,53	0	10,53	119,47	21,60	250
PBD659-CC150	600x800	150	10,53	0	10,53	89,47	27,00	250
PBD659-CC300	600x800	300	10,53	0	10,53	189,47	54,00	500
PBD659-CC600	600x800	600	10,53	0	10,53	139,47	108,00	750

5.5.2 Forbelastningstabel i pound

PBD659 med standardtallerken (304 / 316L)

Type	Mål [inch]	Maks. be- last- ning (3)	Forbe- last- ning, øverste område (4)	Forbelast- ning, veje- plade (5)	Forbe- lastning fra fa- brikken (6)	Mek. For- belast- ningsre- serve (7)	Nulstil- lings- interval (8)	Maks. be- last- nings- interval (1)
PBD659-QA6	9x9	10	1,57	4,19	5,76	8,49	1,8	24
PBD659-A6	9,5x11,8	10	1,75	5,29	7,05	7,20	1,8	24
PBD659-A12	9,5x11,8	20	1,75	5,29	7,05	21,46	3,6	49
PBD659-A15	9,5x11,8	25	1,75	5,29	7,05	16,46	4,5	49
PBD659-QB12	12x12	20	3,13	6,17	9,30	19,20	3,6	49
PBD659-QB15	12x12	25	3,13	6,17	9,30	14,20	4,5	49
PBD659-QB30	12x12	50	3,13	6,17	9,30	72,98	9,0	132
PBD659-QB60	12x12	100	3,13	6,17	9,30	111,16	18,0	220
PBD659-BB30	11,8x15,7	50	4,41	7,72	12,12	70,15	9,0	132
PBD659-BB60	11,8x15,7	100	4,41	7,72	12,12	108,34	18,0	220
PBD659-B30	15,7x19,7	50	8,79	12,13	20,92	61,36	9,0	132
PBD659-B60	15,7x19,7	100	8,79	12,13	20,92	99,55	18,0	220
PBD659-B120	15,7x19,7	200	8,79	12,13	20,92	220,01	36,0	441
PBD659-B150	15,7x19,7	250	8,79	12,13	20,92	170,01	45,0	441
PBD659-BC60	19,7x25,6	100	15,27	18,52	33,79	86,67	18,0	220
PBD659-BC120	19,7x25,6	200	15,27	18,52	33,79	207,14	36,0	441
PBD659-BC150	19,7x25,6	250	15,27	18,52	33,79	157,14	45,0	441
PBD659-BC300	19,7x25,6	500	15,27	18,52	33,79	568,52	90,0	1102
PBD659-CC60	23,6x29,5	100	23,21	25,35	48,56	71,90	18,0	220
PBD659-CC120	23,6x29,5	200	23,21	25,35	48,56	192,37	36,0	441
PBD659-CC150	23,6x29,5	250	23,21	25,35	48,56	142,37	45,0	441
PBD659-CC300	23,6x29,5	500	23,21	25,35	48,56	553,75	90,0	1102
PBD659-CC600	23,6x29,5	1000	23,21	32,41	55,61	597,85	180,0	1653

PBD659 med åben tallerken (304 / 316L)

Type	Mål [inch]	Maks. be- last- ning (3)	Forbe- last- ning, øverste område (4)	Forbelast- ning, veje- plade (5)	Forbe- lastning fra fa- brikken (6)	Mek. For- belast- ningsre- serve (7)	Nulstil- lings- interval (8)	Maks. be- last- nings- interval (1)
PBD659-QA6	9x9	10	1,57	2,65	4,22	10,03	1,8	24
PBD659-A6	9,5x11,8	10	1,75	3,31	5,06	9,19	1,8	24
PBD659-A12	9,5x11,8	20	1,75	3,31	5,06	23,44	3,6	49
PBD659-A15	9,5x11,8	25	1,75	3,31	5,06	18,44	4,5	49
PBD659-QB12	12x12	20	3,13	3,97	7,10	21,41	3,6	49
PBD659-QB15	12x12	25	3,13	3,97	7,10	16,41	4,5	49
PBD659-QB30	12x12	50	3,13	3,97	7,10	75,18	9,0	132
PBD659-QB60	12x12	100	3,13	3,97	7,10	113,37	18,0	220
PBD659-BB30	11,8x15,7	50	4,41	5,07	9,48	72,80	9,0	132
PBD659-BB60	11,8x15,7	100	4,41	5,07	9,48	110,98	18,0	220
PBD659-B30	15,7x19,7	50	8,79	12,35	21,14	61,14	9,0	132

Type	Mål [inch]	Maks. belastning (3)	Forbelastning, øverste område (4)	Forbelastning, vejeplade (5)	Forbelastning fra fabrikken (6)	Mek. Forbelastningsreserve (7)	Nulstillingsinterval (8)	Maks. belastningsinterval (1)
PBD659-B60	15,7x19,7	100	8,79	12,35	21,14	99,33	18,0	220
PBD659-B120	15,7x19,7	200	8,79	12,35	21,14	219,79	36,0	441
PBD659-B150	15,7x19,7	250	8,79	12,35	21,14	169,79	45,0	441

PBD659 med ingen tallerken

Type	Mål [inch]	Maks. belastning (3)	Forbelastning, øverste område (4)	Forbelastning, vejeplade (5)	Forbelastning fra fabrikken (6)	Mek. Forbelastningsreserve (7)	Nulstillingsinterval (8)	Maks. belastningsinterval (1)
PBD659-QA3	9x9	5	1,57	0	1,57	17,68	0,9	24
PBD659-QA6	9x9	10	1,57	0	1,57	12,68	1,8	24
PBD659-A3	9,5x11,8	5	1,75	0	1,75	17,50	0,9	24
PBD659-A6	9,5x11,8	10	1,75	0	1,75	12,50	1,8	24
PBD659-A12	9,5x11,8	20	1,75	0	1,75	26,75	3,6	49
PBD659-A15	9,5x11,8	25	1,75	0	1,75	21,75	4,5	49
PBD659-QB12	12x12	20	3,13	0	3,13	25,37	3,6	49
PBD659-QB15	12x12	25	3,13	0	3,13	20,37	4,5	49
PBD659-QB30	12x12	50	3,13	0	3,13	79,15	9,0	132
PBD659-QB60	12x12	100	3,13	0	3,13	117,33	18,0	220
PBD659-BB30	11,8x15,7	50	4,41	0	4,41	77,87	9,0	132
PBD659-BB60	11,8x15,7	100	4,41	0	4,41	116,06	18,0	220
PBD659-B30	15,7x19,7	50	8,79	0	8,79	73,49	9,0	132
PBD659-B60	15,7x19,7	100	8,79	0	8,79	111,67	18,0	220
PBD659-B120	15,7x19,7	200	8,79	0	8,79	232,13	36,0	441
PBD659-B150	15,7x19,7	250	8,79	0	8,79	182,13	45,0	441
PBD659-BC60	19,7x25,6	100	15,27	0	15,27	105,19	18,0	220
PBD659-BC120	19,7x25,6	200	15,27	0	15,27	335,89	36,0	551
PBD659-BC150	19,7x25,6	250	15,27	0	15,27	285,89	45,0	551
PBD659-BC300	19,7x25,6	500	15,27	0	15,27	587,04	90,0	1102
PBD659-CC60	23,6x29,5	100	23,21	0	23,21	97,26	18,0	220
PBD659-CC120	23,6x29,5	200	23,21	0	23,21	327,95	36,0	551
PBD659-CC150	23,6x29,5	250	23,21	0	23,21	277,95	45,0	551
PBD659-CC300	23,6x29,5	500	23,21	0	23,21	579,11	90,0	1102
PBD659-CC600	23,6x29,5	1000	23,21	0	23,21	630,26	180,0	1653

5.6 Tilbehør

Stander

Varenummer	Betegnelse	Beskrivelse
30676281	Stander åben 330 mm / 13"	Passer til alle platformsstørrelser
30676282	Stander åben 660 mm / 26"	Passer til alle platformsstørrelser
30676283	Stander åben 900 mm / 35,4"	Passer til alle platformsstørrelser større end A-størrelse
30676284	Stander lukket 330 mm / 13"	Passer til alle platformsstørrelser
30676285	Stander lukket 660 mm / 26"	Passer til alle platformsstørrelser
30676286	Stander lukket 900 mm / 35,4"	Passer til alle platformsstørrelser større end A-størrelse

Vogn i rustfrit stål

Varenummer	Betegnelse	Beskrivelse
72225939	Vogn BC i rustfrit stål	Passer til 500 × 650 mm platform
72225940	Vogn CC i rustfrit stål	Passer til 600 × 800 mm platform

Rulleskinne

Varenummer	Betegnelse	Beskrivelse
30253326	Rulleskinne 400 × 500 mm / 15,7" × 19,7" rustfrit stål	Passer til 400 × 500 mm platform. Ruller til platformens korte side
30253328	Rulleskinne 500 × 650 mm / 19,7" × 25,6" rustfrit stål	Passer til 500 × 650 mm platform. Ruller til platformens korte side
30253330	Rulleskinne 600 × 800 mm / 23,6" × 31,5" rustfrit stål	Passer til 600 × 800 mm platform. Ruller til platformens korte side
30253327	Rulleskinne 400 × 500 mm / 15,7" × 19,7" rustfrit stål	Passer til 400 × 500 mm platform. Ruller til platformens lange side
30253329	Rulleskinne 500 × 650 mm / 19,7" × 25,6" rustfrit stål	Passer til 500 × 650 mm platform. Ruller til platformens lange side
30253331	Rulleskinne 600 × 800 mm / 23,6" × 31,5" rustfrit stål	Passer til 600 × 800 mm platform. Ruller til platformens korte side

Frontmonteringsbeslag

Varenummer	Betegnelse	Beskrivelse
30676290	Frontmonteringsbeslag	Passer til ICS4_9 frontmontering
30676291	Frontmonteringsbeslag	Passer til ICS689 frontmontering

Forlænger kabel til vejecelle

Varenummer	Betegnelse	Beskrivelse
22023696	Forlænger kabel, 3 m, 2 M12-stik	Forlængerkabler til vejecelle beregnet til PBD659 platforme
30024759	Forlænger kabel, 10 m, 2 M12-stik	Forlængerkabler til vejecelle beregnet til PBD659 platforme

SICSpro til IDNet-converter

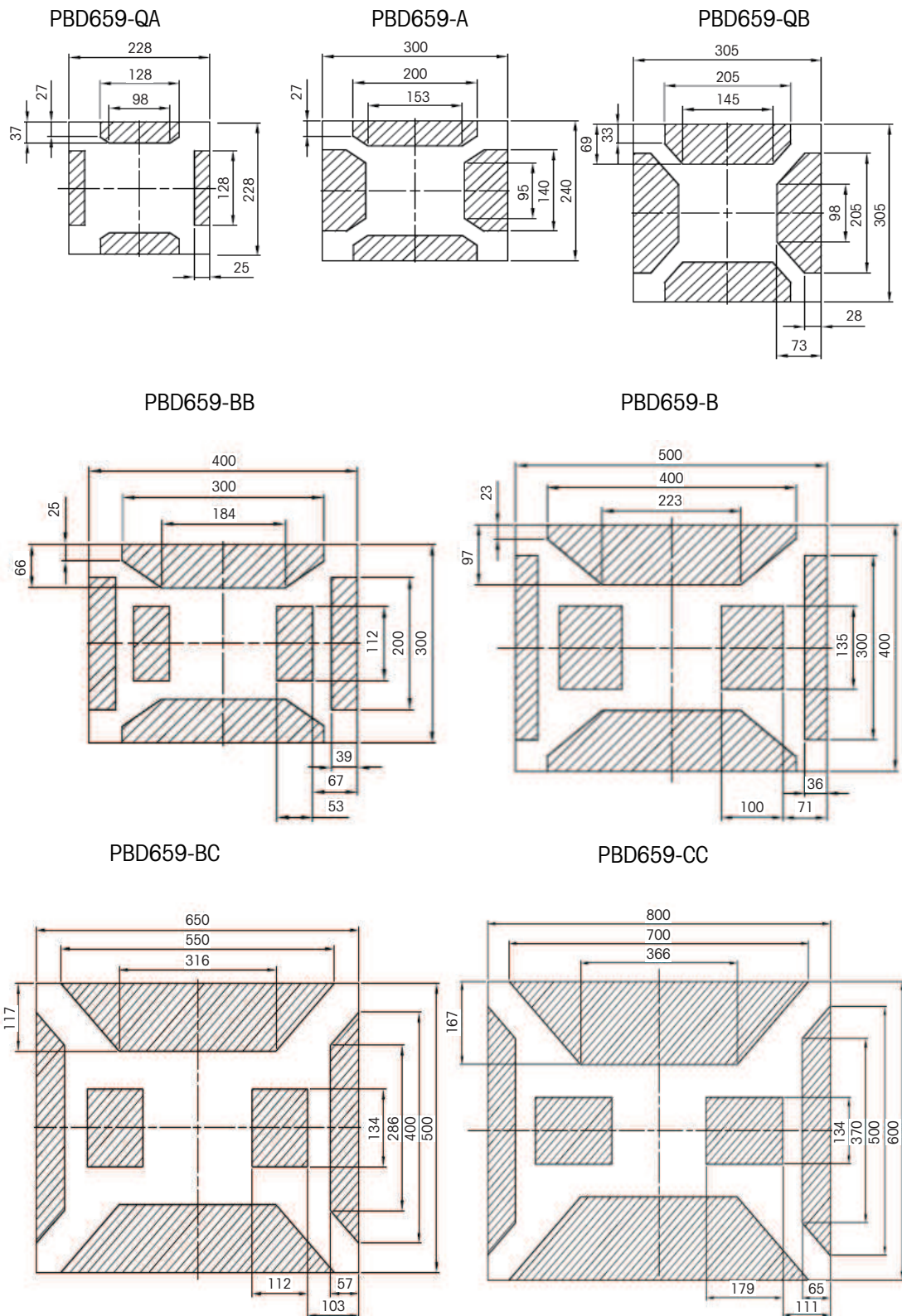
Varenummer	Betegnelse	Beskrivelse
22026963	ACC409	Adapter til konvertering af SICSPro-signal til IDNet

6 Monteringsmuligheder

PBD659 understøtter montering på stabil enhed. Hvis det bliver nødvendigt at bore på vejeplattformen, skal nedenstående boremønstre følges.

BEMÆRK: De mørke områder er de steder, hvor det er tilladt at bore på vejeplattformen.

Målt i [mm]



METTLER TOLEDO Service

Gratulerer med valget av kvalitet og presisjon fra METTLER TOLEDO. Korrekt bruk av ditt nye utstyr i samsvar med denne veiledningen og regelmessig kalibrering og vedlikehold utført av vårt serviceteam som er lært opp ved fabrikken, sikrer pålitelig og nøyaktig drift, slik at investeringen din beskyttes. Kontakt oss om en serviceavtale skreddersydd dine behov og økonomi. Ytterligere informasjon er tilgjengelig på ► www.mt.com/service.

Det er flere viktige måter du kan sikre og optimere ytelsen av din investering på:

- 1 **Registrer ditt produkt:** Vi ber deg om å registrere ditt produkt på www.mt.com/productregistration slik at vi kan kontakte deg om forbedringer, oppdateringer og viktig informasjon vedrørende ditt produkt.
- 2 **Kontakt METTLER TOLEDO for service:** Verdien av en måling er proporsjonal med dens nøyaktighet – en vekt som er utenfor spesifikasjonene kan redusere kvaliteten, redusere profitten og øke ansvaret. Service i rett tid fra METTLER TOLEDO vil sikre nøyaktigheten og optimere driftstiden og utstyrets levetid.
 - ➔ **Installasjon, konfigurering, integrering og opplæring:** Våre servicerepresentanter er eksperter på veieutstyr, opplært ved fabrikken. Vi sikrer at ditt veieutstyr er klart for produksjon til rett tid på en kostnadseffektiv måte, og at personell blir opplært for gode resultater.
 - ➔ **Dokumentering av initiell kalibrering:** Installasjonsmiljøet og kravene til bruk er unike for enhver industriell vekt, slik at ytelsen må testes og sertifiseres. Våre kalibreringstjenester og sertifikater dokumenterer nøyaktigheten for å sikre produksjonskvalitet og gi en kvalitetssystem-ytelseslogging.
 - ➔ **Periodisk kalibreringsvedlikehold:** En kalibreringsserviceavtale gir vedvarende tiltro til din veieprosess og dokumenterer samsvar med kravene. Vi tilbyr et utvalg av serviceplaner som er tilpasset dine behov og ditt budsjett.

Innhold

1	Sikkerhetsanvisninger	3
1.1	Tiltenkt bruk	3
1.2	Misbruk	3
1.3	Sikkerhetstiltak	3
2	Innledning	4
2.1	Utvalg	4
2.2	Om denne veiledningen	4
2.3	Andre dokumenter	4
3	Installasjon og drift	5
3.1	Koble veieplattformen til veieterminalen	5
3.2	Vatring	6
3.3	Sjekk veieplattformen	6
3.4	Drift av veieplattformen	7
3.5	Installasjon, konfigurasjon, service og reparasjon	8
4	Vedlikehold	9
4.1	Merknader om rengjøring	9
4.2	Etterbehandling	9
4.3	Kassering	9
5	Tekniske data og driftsgrenser	10
5.1	Maksimum verifiseringsvektintervall	10
5.2	Maksimum tillatt last	10
5.3	Tekniske data for lastcellen	11
5.4	Mål	11
5.5	Informasjon om forbelastningskapasitet	12
5.5.1	Forbelastningstabell i kilogram	13
5.5.2	Forbelastningstabell i pund	15
5.6	Tilbehør	17
6	Monteringsalternativer	18

1 Sikkerhetsanvisninger

1.1 Tiltent bruk

PBD659 Veiplattform er en del av et modulært veiesystem som omfatter en METTLER TOLEDO veieplatform som indikator og minst én veieplattform.

- Bruk veieplattformen kun til veiing i samsvar med denne veiledningen.
- Veiplattformen er kun ment for innendørs bruk.
- All annen bruk anses som ikke tiltent bruk.

Lovregulert måling

- Ved bruk til lovregulert måling må det bare benyttes godkjente veieplatformer.
- Ved bruk til lovregulert måling er driftsselskapet ansvarlig for å overholde alle nasjonale krav til mål og vekt.
- Vennligst kontakt METTLER TOLEDO serviceorganisasjon når det gjelder spørsmål knyttet til bruk i lovlige handelsapplikasjoner.

1.2 Misbruk

- Ikke bruk veieplatformen til annet enn veieoperasjoner.
- Ikke bruk veieplattformen i andre omgivelser enn det som er spesifisert i --- MISSING LINK ---.
- Ikke utfør modifikasjoner på veieplattformen.
- Ikke bruk veieplatformen utover grensene i de tekniske spesifikasjonene.
- Ikke bruk veieplattformen til lagring av varer.
- Unngå at det faller varer ned på veieplattformen.
- Ikke bruk veieplattformen i farlige omgivelser.

1.3 Sikkerhetstiltak

- Bare personale som er opplært og kvalifisert av METTLER TOLEDO, skal installere og vedlikeholde veieplattformen.
- Vær forsiktig ved transport og løfting av tunge enheter.
- Koble alltid veieplattformen fra strømkilden før installasjon, service, rengjøring eller vedlikehold.
- Tilkoblingskabelen må ikke kobles fra veieplatformen når den er aktivert.
- Vent til veieplattformen har nådd romtemperatur før du slår på strømforsyningen.

2 Innledning

2.1 Utvalg

Denne veiledningen omhandler produktserien PBD659.

PBD659-serien tilbyr en rekke veieplattformer for å oppfylle dine behov. Den er godkjennbar og leveres i ulike størrelser og med forskjellig kapasitet

Type	Lastplatemateriale	Vektrammemateriale	Lastcellekonstruksjon	Omgivelser IP-beskyttelse	Godkjenning for farlig bruk
PBD659	Rustfritt stål AISI304, tilleggsutstyr / Rustfritt stål AISI316L, tilleggsutstyr / Rustfritt stål AISI304, åpen plate, tilleggsutstyr	Rustfritt stål AISI304	Rustfritt stål, hermetisk forseglet	Tørre, våte, IP68/ IP69K	-

2.2 Om denne veiledningen



Denne veiledningen inneholder all informasjon for operatøren av produktet.

- Les denne veiledningen grundig før bruk.
- Ta vare på denne veiledningen for framtidig referanse.
- Legg ved denne veiledningen til eventuelle framtidige eiere eller brukere av produktet.

2.3 Andre dokumenter

I tillegg til denne veiledningen kan du laste ned de følgende dokumentene fra ► www.mt.com:

- Brosjyre
- Installasjonsinformasjon (for utdannet personell under kontroll av driftsselskapet)
- Typegodkjenningsdokumenter

Nedlasting av sertifikat

Sertifikater for USA, Canada kan lastes ned fra

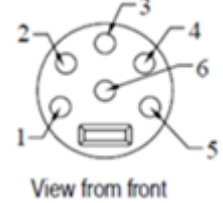
► <https://www.mt.com/us/en/home/search/compliance.html/compliance/>.

3 Installasjon og drift

3.1 Koble veieplattformen til veieterminalen

PBD659 veieplattformer er beregnet for bruk sammen med digitale METTLER TOLEDO-veieterminaler.

- Koble veieplattformkabelen til veieterminalen.

Pinne	RS-422	Stikkontakt, 6 pinner
1	RXD+	
2	RXD	
3	TXD+	
4	VCC	
5	GND	
6	TXD-	

👉 Skann QR-koden for å se videoen

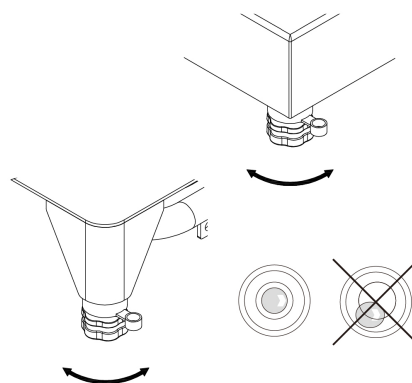


3.2 Vatring

Bare en veieplattform som er justert slik at den er helt horisontal, gir nøyaktige veieresultater. Veieplattformen må vattres under den opprinnelige installasjonen og hver gang den flyttes.

- 1 Drei de justerbare føttene på veieplattformen til luftboblen i libellen befinner seg i den innerste sirkelen.
- 2 Stram låsemutrene på de justerbare bena.

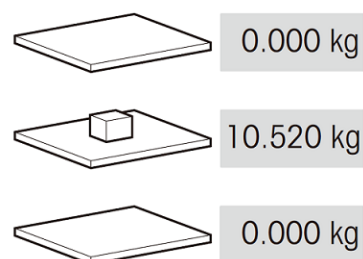
👉 Skann QR-koden for å se videoen



3.3 Sjekke veieplattformen

Funksjonssjekk

- 1 Forsikre deg om at veieplattformen er koblet til en veie-terminal og at veie-terminalen er slått på.
- 2 Forsikre deg om at veieplattformen er ubelastet og at displayet på veie-terminalen viser 0.
- 3 Belast veieplattformen. Veie-terminalen må vise en verdi forskjellig fra 0.
- 4 Avlast veieplattformen. Veie-terminalen skal gå tilbake til 0.



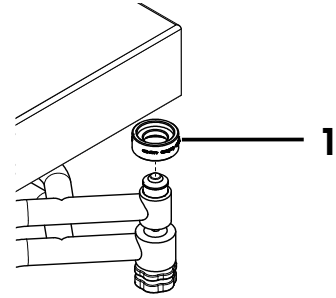
Godkjenningstest

For godkjenningstest, se brukerveiledningen for den tilkoblede veie-terminalen. Hvis godkjenningsmerket er brutt, er godkjenningen ikke lenger gyldig.

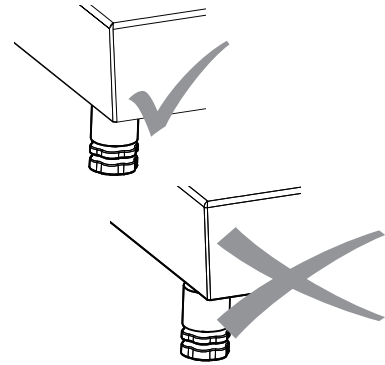
3.4 Drift av veieplattformen

For best mulige veieresultater, pass på følgende:

- Hvis veieplattformen leveres med transportbeskyttelse sputene(1) under lasteplaten, må du fjerne transportbeskyttelse sputene før du bruker den.



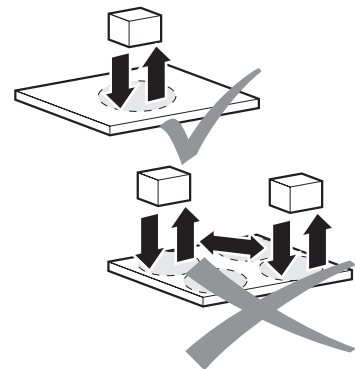
- Forsikre deg om at lasteplaten er riktig plassert.



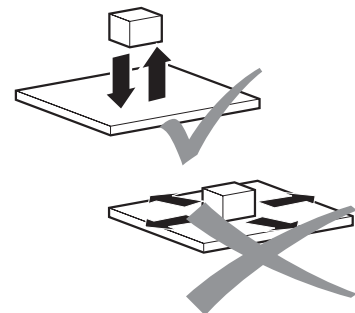
- Før enheten tas i bruk, må du vente i minst fem minutter etter at du har slått den på til enheten er blitt varm.



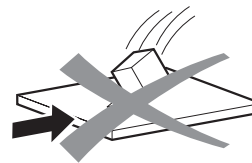
- For å oppnå de beste veieresultatene, plasser alltid veieprøven på samme sted på veieplattformen.



- Unngå prosesser som er abrasive og gir slitasje.



- Unngå fallende laster, støt og sideveis slag.



3.5 Installasjon, konfigurasjon, service og reparasjon

For installasjon, konfigurasjon, service og reparasjon av veieplattformene, kontakt METTLER TOLEDO service.

4 Vedlikehold

4.1 Merknader om rengjøring

Merknad

Skader på veieplattformen på grunn av feil bruk av rengjøringsmidler.

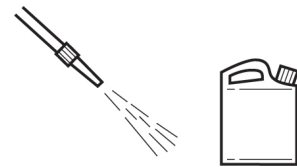
- Bruk kun desinfeksjonsmidler og rengjøringsmidler i samsvar med produsentens instruksjoner.
- Bruk ikke svært sure, svært alkaliske eller svært klorholdige rengjøringsmidler. Unngå stoffer med høy eller lav pH-verdi, da de fører til økt fare for korrosjon.
- Utvis spesiell forsiktighet ved rengjøring av lastecellen.

Rengjøringsprosedyre

- Fjern skitt og avsetninger fra utsiden og innsiden av veieplattformen med regelmessige intervaller.
 - ➔ Prosedyren avhenger både av typen overflate og miljøbetingelsene på installasjonsstedet.

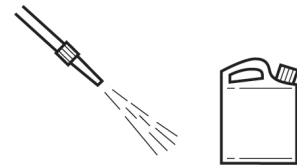
Rengjøring i våte omgivelser (versjoner i rustfritt stål)

- Bruk en vannstråle på opp til 80 °C / 176 °F og maks. 80 bar, minimumsavstand 40 cm / 16".
- Bruk vanlige rengjøringsmidler.



Rengjøring i korrosive omgivelser (versjoner i rustfritt stål)

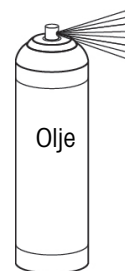
- Bruk en vannstråle.
 - Innvendig rengjøring**, lastecelle, lastplate åpnet: inntil 60 °C / 140 °F og maks. 2 bar, minimumsavstand 40 cm / 16".
 - Utvendig rengjøring**, lastplate lukket: inntil 80 °C / 176 °F og maks. 80 bar, minimumsavstand 40 cm / 16".
- Fjern korrosive stoffer regelmessig.
- Bruk kun desinfeksjonsmidler og rengjøringsmidler i samsvar med produsentens spesifikasjoner og instruksjoner.



4.2 Etterbehandling

Utfør følgende etterbehandling for å beskytte vekten:

- Skyll vekten med rent vann og fjern alt rengjøringsmiddel fullstendig.
- Tørk av vekten med en lufri klut.
- På vekter i rustfritt stål smøres innsiden og utsiden med en olje egnet for matvarer.



4.3 Kassering

In conformance with the European Directive 2012/19/EU on Waste Electrical and Electronic Equipment (WEEE) this device may not be disposed of in domestic waste. This also applies to countries outside the EU, per their specific requirements.

Please dispose of this product in accordance with local regulations at the collecting point specified for electrical and electronic equipment. If you have any questions, please contact the responsible authority or the distributor from which you purchased this device. Should this device be passed on to other parties, the content of this regulation must also be related.



5 Tekniske data og driftsgrenser

5.1 Maksimum verifiseringsvektintervall

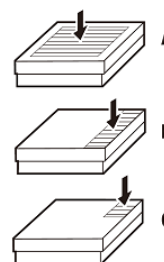
Maks. verifiseringsvektintervall [e] / OIML	Kapasitet							
	3 kg	6 kg	12 kg	30 kg	60 kg	120 kg	300 kg	600 kg
1 x 6000e Max / e [kg]	3 / 0.0005	6 / 0.001	12 / 0.002	30 / 0.005	60 / 0.01	120 / 0.02	300 / 0.05	600 / 0.2

Maks. verifiseringsvektintervall [d] / NTEP	Kapasitet							
	-	10 lb	20 lb	50 lb	100 lb	200 lb	500 lb	1000 lb
1 x 10000d Max / d [lb]	-	10 / 0.001	20 / 0.002	50 / 0.005	100 / 0.01	200 / 0.02	500 / 0.05	-
1 x 5000d Max / d [lb]	-	-	-	-	-	-	-	1000 / 0.2

5.2 Maksimum tillatt last

Alle veieplattformer er utstyrt med en overbelastningsbeskyttelse. Med den robuste vektkonstruksjonen kan du av og til overskride nominell kapasitet for plattformen uten at det oppstår skade. Den maksimale statiske bæreevnen må aldri overskrides.

- Overhold driftsgrensene nedenfor.



Modell	A - Sentral last	B - Sidelast	C - Hjørnelast
PBD659-QA	50 kg / 110 lb	35 kg / 77 lb	20 kg / 44 lb
PBD659-A	50 kg / 110 lb	35 kg / 77 lb	20 kg / 44 lb
PBD659-QB	120 kg / 265 lb	80 kg / 176 lb	40 kg / 88 lb
PBD659-BB	120 kg / 265 lb	80 kg / 176 lb	40 kg / 88 lb
PBD659-B	220 kg / 485 lb	150 kg / 331 lb	80 kg / 176 lb
PBD659-BC	450 kg / 992 lb	350 kg / 772 lb	180 kg / 397 lb
PBD659-CC	750 kg / 1653 lb	400 kg / 882 lb	200 kg / 440 lb



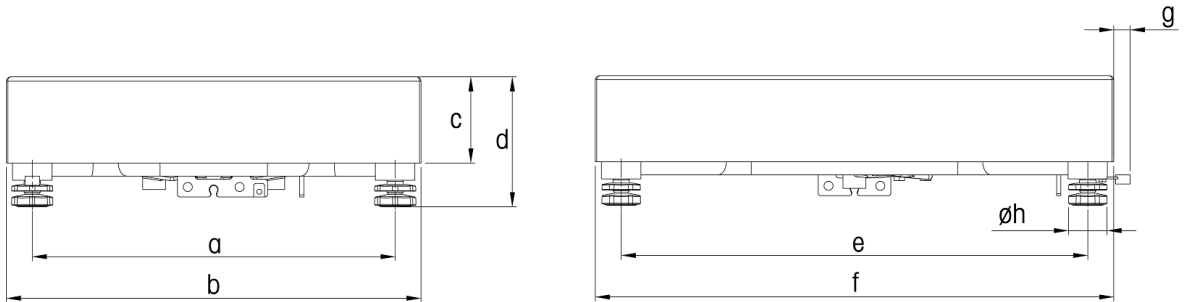
⚠ ADVARSEL

Unngå fallende laster, støtbelastning og sideveis slag.

5.3 Tekniske data for lastcellen

Anbefalt spenning	V DC	10 - 12
Maks. eksitert spenning	V DC	30
Godkjenning	-	OIML / NTEP
Kabelmantel	-	PVC
IP-klasse	-	IP68/IP69K

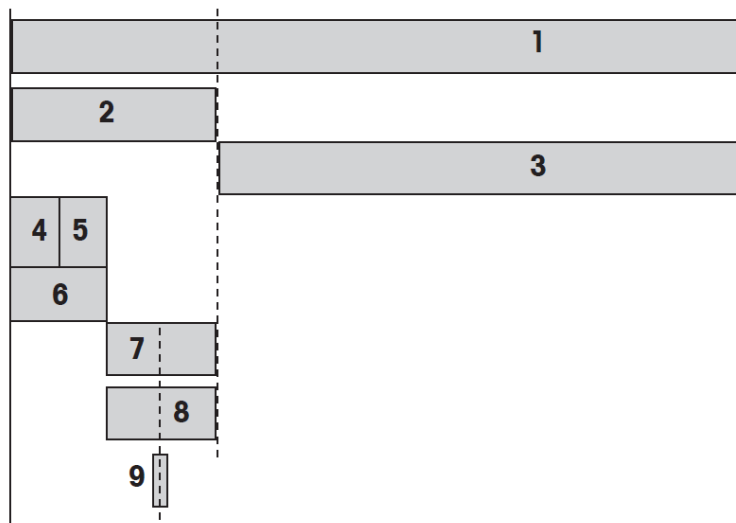
5.4 Mål



Mål		a	b	c	d*	e	f	g	h
PBD659-QA	mm	178	228	70	110	178	228	21	40
	tomme	7,01	8,98	2,76	4,33	7,01	8,98	0,83	1,57
PBD659-A	mm	190	240	70	110	250	300	21	40
	tomme	7,48	9,45	2,76	4,33	9,84	11,81	0,83	1,57
PBD659-QB	mm	255	305	70	110	255	305	21	40
	tomme	10,04	12,01	2,76	4,33	10,04	12,01	0,83	1,57
PBD659-BB	mm	250	300	70	110	350	400	21	40
	tomme	9,84	11,81	2,76	4,33	13,78	15,75	0,83	1,57
PBD659-B	mm	350	400	83	126	450	500	21	40
	tomme	13,78	15,75	3,27	4,96	17,72	19,69	0,83	1,57
PBD659-BC	mm	450	500	90	134	600	650	21	40
	tomme	17,72	19,69	3,54	5,28	23,62	25,59	0,83	1,57
PBD659-CC	mm	550	600	90	134	750	800	21	40
	tomme	21,65	23,62	3,54	5,28	29,53	31,50	0,83	1,57
PBD659-CC600	mm	550	600	94	140,5	750	800	21	40
	tomme	21,65	23,62	3,70	5,53	29,53	31,50	0,83	1,57

*: d= minimum plattformhøyde. Med vektens justerbare føtter kan plattformhøyden økes med maksimalt 5 mm / 0,20 tommer.

5.5 Informasjon om forbelastningskapasitet



1	Maksimalt belastningsområde for lastcellen (E_{max})
2	Maksimal forbelastning = Maksimalt belastningsområde 1 – Maksimal belastning 3
3	Maksimal last = Maksimalt belastningsområde 1 – Maksimal forbelastning 2
4	Forbelastning toppseksjon
5	Forbelastning veieskål
6	Forbelastning fra fabrikk = Forbelastning toppseksjon 4 + Forbelastning veieskål 5
7	Mekanisk forbelastningsreserve = Maksimal forbelastning 2 – Forbelastning fra fabrikk 6
8	Nullstillingsområdet (slå på) kan stilles inn. Nullstillingsområdet må ligge innenfor maksimal forbelastning. Nullstillingsområdet kan maks. være 18 % av maksimal belastning.
9	Nullstillingsområde ± 2 % av den maksimale belastningen

5.5.1 Forbelastningstabell i kilogram

PBD659 med standardplate (304 / 316L)

Type	Mål [mm]	Maks. belastning (3)	Forbelastning toppseksjon (4)	Forbelastning veieskål (5)	Forbelastning fra fabrikk (6)	Mek. Forbelastningsreserve (7)	Nullstillingsområde (8)	Maks. belastningsområde (1)
PBD659-QA3	228x228	3	0,71	1,90	2,61	5,39	0,54	11
PBD659-QA6	228x228	6	0,71	1,90	2,61	2,39	1,08	11
PBD659-A3	240x300	3	0,80	2,40	3,20	4,80	0,54	11
PBD659-A6	240x300	6	0,80	2,40	3,20	1,80	1,08	11
PBD659-A12	240x300	12	0,80	2,40	3,20	6,80	2,16	22
PBD659-A15	240x300	15	0,80	2,40	3,20	3,80	2,70	22
PBD659-QB12	305x305	12	1,42	2,80	4,22	5,78	2,16	22
PBD659-QB15	305x305	15	1,42	2,80	4,22	2,78	2,70	22
PBD659-QB30	305x305	30	1,42	2,80	4,22	25,78	5,40	60
PBD659-QB60	305x305	60	1,42	2,80	4,22	35,78	10,80	100
PBD659-BB30	300x400	30	2,00	3,50	5,50	24,50	5,40	60
PBD659-BB60	300x400	60	2,00	3,50	5,50	34,50	10,80	100
PBD659-B30	400x500	30	3,99	5,50	9,49	20,51	5,40	60
PBD659-B60	400x500	60	3,99	5,50	9,49	30,51	10,80	100
PBD659-B120	400x500	120	3,99	5,50	9,49	70,51	21,60	200
PBD659-B150	400x500	150	3,99	5,50	9,49	40,51	27,00	200
PBD659-BC60	500x650	60	6,93	8,40	15,33	24,67	10,80	100
PBD659-BC120	500x650	120	6,93	8,40	15,33	64,67	21,60	200
PBD659-BC150	500x650	150	6,93	8,40	15,33	34,67	27,00	200
PBD659-BC300	500x650	300	6,93	8,40	15,33	184,67	54,00	500
PBD659-CC60	600x800	60	10,53	11,50	22,03	17,97	10,80	100
PBD659-CC120	600x800	120	10,53	11,50	22,03	57,97	21,60	200
PBD659-CC150	600x800	150	10,53	11,50	22,03	27,97	27,00	200
PBD659-CC300	600x800	300	10,53	11,50	22,03	177,97	54,00	500
PBD659-CC600	600x800	600	10,53	14,70	25,23	124,77	108,00	750

PBD659 med åpen plate (304 / 316L)

Type	Mål [mm]	Maks. belastning (3)	Forbelastning toppseksjon (4)	Forbelastning veieskål (5)	Forbelastning fra fabrikk (6)	Mek. Forbelastningsreserve (7)	Nullstillingsområde (8)	Maks. belastningsområde (1)
PBD659-QA3	228x228	3	0,71	1,20	1,91	6,09	0,54	11
PBD659-QA6	228x228	6	0,71	1,20	1,91	3,09	1,08	11
PBD659-A3	240x300	3	0,80	1,50	2,30	5,70	0,54	11
PBD659-A6	240x300	6	0,80	1,50	2,30	2,70	1,08	11
PBD659-A12	240x300	12	0,80	1,50	2,30	7,70	2,16	22
PBD659-A15	240x300	15	0,80	1,50	2,30	4,70	2,70	22
PBD659-QB12	305x305	12	1,42	1,80	3,22	6,78	2,16	22
PBD659-QB15	305x305	15	1,42	1,80	3,22	3,78	2,70	22
PBD659-QB30	305x305	30	1,42	1,80	3,22	26,78	5,40	60
PBD659-QB60	305x305	60	1,42	1,80	3,22	36,78	10,80	100
PBD659-BB30	300x400	30	2,00	2,30	4,30	25,70	5,40	60

Type	Mål [mm]	Maks. belastning (3)	Forbelastning toppseksjon (4)	Forbelastning veiskål (5)	Forbelastning fra fabrikk (6)	Mek. Forbelastningsreserve (7)	Nullstillingsområde (8)	Maks. belastningsområde (1)
PBD659-BB60	300x400	60	2,00	2,30	4,30	35,70	10,80	100
PBD659-B30	400x500	30	3,99	5,60	9,59	20,41	5,40	60
PBD659-B60	400x500	60	3,99	5,60	9,59	30,41	10,80	100
PBD659-B120	400x500	120	3,99	5,60	9,59	70,41	21,60	200
PBD659-B150	400x500	150	3,99	5,60	9,59	40,41	27,00	200

PBD659 uten plate

Type	Mål [mm]	Maks. belastning (3)	Forbelastning toppseksjon (4)	Forbelastning veiskål (5)	Forbelastning fra fabrikk (6)	Mek. Forbelastningsreserve (7)	Nullstillingsområde (8)	Maks. belastningsområde (1)
PBD659-QA3	228x228	3	0,71	0	0,71	7,29	0,54	11
PBD659-QA6	228x228	6	0,71	0	0,71	4,29	1,08	11
PBD659-A3	240x300	3	0,80	0	0,80	7,20	0,54	11
PBD659-A6	240x300	6	0,80	0	0,80	4,20	1,08	11
PBD659-A12	240x300	12	0,80	0	0,80	9,20	2,16	22
PBD659-A15	240x300	15	0,80	0	0,80	6,20	2,70	22
PBD659-QB12	305x305	12	1,42	0	1,42	8,58	2,16	22
PBD659-QB15	305x305	15	1,42	0	1,42	5,58	2,70	22
PBD659-QB30	305x305	30	1,42	0	1,42	28,58	5,40	60
PBD659-QB60	305x305	60	1,42	0	1,42	38,58	10,80	100
PBD659-BB30	300x400	30	2,00	0	2,00	28,00	5,40	60
PBD659-BB60	300x400	60	2,00	0	2,00	38,00	10,80	100
PBD659-B30	400x500	30	3,99	0	3,99	26,01	5,40	60
PBD659-B60	400x500	60	3,99	0	3,99	36,01	10,80	100
PBD659-B120	400x500	120	3,99	0	3,99	76,01	21,60	200
PBD659-B150	400x500	150	3,99	0	3,99	46,01	27,00	200
PBD659-BC60	500x650	60	6,93	0	6,93	33,07	10,80	100
PBD659-BC120	500x650	120	6,93	0	6,93	123,07	21,60	250
PBD659-BC150	500x650	150	6,93	0	6,93	93,07	27,00	250
PBD659-BC300	500x650	300	6,93	0	6,93	193,07	54,00	500
PBD659-CC60	600x800	60	10,53	0	10,53	29,47	10,80	100
PBD659-CC120	600x800	120	10,53	0	10,53	119,47	21,60	250
PBD659-CC150	600x800	150	10,53	0	10,53	89,47	27,00	250
PBD659-CC300	600x800	300	10,53	0	10,53	189,47	54,00	500
PBD659-CC600	600x800	600	10,53	0	10,53	139,47	108,00	750

5.5.2 Forbelastningstabell i pund

PBD659 med standardplate (304 / 316L)

Type	Mål [tomme]	Maks. belast- ning (3)	Forbelas- tning toppsek- sjon (4)	Forbelast- ning veie- skål (5)	Forbelast- ning fra fabrikk (6)	Mek. Forbelast- ningsre- serve (7)	Nullstillin- gs- område (8)	Maks. belast- nings- område (1)
PBD659-QA6	9x9	10	1,57	4,19	5,76	8,49	1,8	24
PBD659-A6	9,5x11,8	10	1,75	5,29	7,05	7,20	1,8	24
PBD659-A12	9,5x11,8	20	1,75	5,29	7,05	21,46	3,6	49
PBD659-A15	9,5x11,8	25	1,75	5,29	7,05	16,46	4,5	49
PBD659-QB12	12x12	20	3,13	6,17	9,30	19,20	3,6	49
PBD659-QB15	12x12	25	3,13	6,17	9,30	14,20	4,5	49
PBD659-QB30	12x12	50	3,13	6,17	9,30	72,98	9,0	132
PBD659-QB60	12x12	100	3,13	6,17	9,30	111,16	18,0	220
PBD659-BB30	11,8x15,7	50	4,41	7,72	12,12	70,15	9,0	132
PBD659-BB60	11,8x15,7	100	4,41	7,72	12,12	108,34	18,0	220
PBD659-B30	15,7x19,7	50	8,79	12,13	20,92	61,36	9,0	132
PBD659-B60	15,7x19,7	100	8,79	12,13	20,92	99,55	18,0	220
PBD659-B120	15,7x19,7	200	8,79	12,13	20,92	220,01	36,0	441
PBD659-B150	15,7x19,7	250	8,79	12,13	20,92	170,01	45,0	441
PBD659-BC60	19,7x25,6	100	15,27	18,52	33,79	86,67	18,0	220
PBD659-BC120	19,7x25,6	200	15,27	18,52	33,79	207,14	36,0	441
PBD659-BC150	19,7x25,6	250	15,27	18,52	33,79	157,14	45,0	441
PBD659-BC300	19,7x25,6	500	15,27	18,52	33,79	568,52	90,0	1102
PBD659-CC60	23,6x29,5	100	23,21	25,35	48,56	71,90	18,0	220
PBD659-CC120	23,6x29,5	200	23,21	25,35	48,56	192,37	36,0	441
PBD659-CC150	23,6x29,5	250	23,21	25,35	48,56	142,37	45,0	441
PBD659-CC300	23,6x29,5	500	23,21	25,35	48,56	553,75	90,0	1102
PBD659-CC600	23,6x29,5	1000	23,21	32,41	55,61	597,85	180,0	1653

PBD659 med åpen plate (304 / 316L)

Type	Mål [tomme]	Maks. belast- ning (3)	Forbelas- tning toppsek- sjon (4)	Forbelast- ning veie- skål (5)	Forbelast- ning fra fabrikk (6)	Mek. Forbelast- ningsre- serve (7)	Nullstillin- gs- område (8)	Maks. belast- nings- område (1)
PBD659-QA6	9x9	10	1,57	2,65	4,22	10,03	1,8	24
PBD659-A6	9,5x11,8	10	1,75	3,31	5,06	9,19	1,8	24
PBD659-A12	9,5x11,8	20	1,75	3,31	5,06	23,44	3,6	49
PBD659-A15	9,5x11,8	25	1,75	3,31	5,06	18,44	4,5	49
PBD659-QB12	12x12	20	3,13	3,97	7,10	21,41	3,6	49
PBD659-QB15	12x12	25	3,13	3,97	7,10	16,41	4,5	49
PBD659-QB30	12x12	50	3,13	3,97	7,10	75,18	9,0	132
PBD659-QB60	12x12	100	3,13	3,97	7,10	113,37	18,0	220
PBD659-BB30	11,8x15,7	50	4,41	5,07	9,48	72,80	9,0	132
PBD659-BB60	11,8x15,7	100	4,41	5,07	9,48	110,98	18,0	220
PBD659-B30	15,7x19,7	50	8,79	12,35	21,14	61,14	9,0	132
PBD659-B60	15,7x19,7	100	8,79	12,35	21,14	99,33	18,0	220
PBD659-B120	15,7x19,7	200	8,79	12,35	21,14	219,79	36,0	441

Type	Mål [tomme]	Maks. belastning (3)	Forbelastning toppseksjon (4)	Forbelastning veiskål (5)	Forbelastning fra fabrikk (6)	Mek. Forbelastningsreserve (7)	Nullstillingsområde (8)	Maks. belastningsområde (1)
PBD659-B150	15,7x19,7	250	8,79	12,35	21,14	169,79	45,0	441

PBD659 uten plate

Type	Mål [tomme]	Maks. belastning (3)	Forbelastning toppseksjon (4)	Forbelastning veiskål (5)	Forbelastning fra fabrikk (6)	Mek. Forbelastningsreserve (7)	Nullstillingsområde (8)	Maks. belastningsområde (1)
PBD659-QA3	9x9	5	1,57	0	1,57	17,68	0,9	24
PBD659-QA6	9x9	10	1,57	0	1,57	12,68	1,8	24
PBD659-A3	9,5x11,8	5	1,75	0	1,75	17,50	0,9	24
PBD659-A6	9,5x11,8	10	1,75	0	1,75	12,50	1,8	24
PBD659-A12	9,5x11,8	20	1,75	0	1,75	26,75	3,6	49
PBD659-A15	9,5x11,8	25	1,75	0	1,75	21,75	4,5	49
PBD659-QB12	12x12	20	3,13	0	3,13	25,37	3,6	49
PBD659-QB15	12x12	25	3,13	0	3,13	20,37	4,5	49
PBD659-QB30	12x12	50	3,13	0	3,13	79,15	9,0	132
PBD659-QB60	12x12	100	3,13	0	3,13	117,33	18,0	220
PBD659-BB30	11,8x15,7	50	4,41	0	4,41	77,87	9,0	132
PBD659-BB60	11,8x15,7	100	4,41	0	4,41	116,06	18,0	220
PBD659-B30	15,7x19,7	50	8,79	0	8,79	73,49	9,0	132
PBD659-B60	15,7x19,7	100	8,79	0	8,79	111,67	18,0	220
PBD659-B120	15,7x19,7	200	8,79	0	8,79	232,13	36,0	441
PBD659-B150	15,7x19,7	250	8,79	0	8,79	182,13	45,0	441
PBD659-BC60	19,7x25,6	100	15,27	0	15,27	105,19	18,0	220
PBD659-BC120	19,7x25,6	200	15,27	0	15,27	335,89	36,0	551
PBD659-BC150	19,7x25,6	250	15,27	0	15,27	285,89	45,0	551
PBD659-BC300	19,7x25,6	500	15,27	0	15,27	587,04	90,0	1102
PBD659-CC60	23,6x29,5	100	23,21	0	23,21	97,26	18,0	220
PBD659-CC120	23,6x29,5	200	23,21	0	23,21	327,95	36,0	551
PBD659-CC150	23,6x29,5	250	23,21	0	23,21	277,95	45,0	551
PBD659-CC300	23,6x29,5	500	23,21	0	23,21	579,11	90,0	1102
PBD659-CC600	23,6x29,5	1000	23,21	0	23,21	630,26	180,0	1653

5.6 Tilbehør

Søyle

Artikkel #	Betegnelse	Beskrivelse
30676281	Søyle åpen 330 mm / 13"	Egnet til alle plattformstørrelser
30676282	Søyle åpen 660 mm / 26"	Egnet til alle plattformstørrelser
30676283	Søyle åpen 900 mm / 35,4"	Egnet til alle plattformstørrelser over A-størrelse
30676284	Søyle lukket 330 mm / 13"	Egnet til alle plattformstørrelser
30676285	Søyle lukket 660 mm / 26"	Egnet til alle plattformstørrelser
30676286	Søyle lukket 900 mm / 35,4"	Egnet til alle plattformstørrelser over A-størrelse

Vogn, rustfritt stål

Artikkel #	Betegnelse	Beskrivelse
72225939	Vogn, rustfritt stål BC	Egnet til 500 × 650 mm plattform
72225940	Vogn, rustfritt stål CC	Egnet til 600 × 800 mm plattform

Rullebane

Artikkel #	Betegnelse	Beskrivelse
30253326	Rullebane 400 × 500 mm / 15,7" × 19,7" rustfritt stål	Egnet til 400 × 500 mm plattform. Rulles til kortsiden av plattformen
30253328	Rullebane 500 × 650 mm / 19,7" × 25,6" rustfritt stål	Egnet til 500 × 650 mm plattform. Rulles til kortsiden av plattformen
30253330	Rullebane 600 × 800 mm / 23,6" × 31,5" rustfritt stål	Egnet til 600 × 800 mm plattform. Rulles til kortsiden av plattformen
30253327	Rullebane 400 × 500 mm / 15,7" × 19,7" rustfritt stål	Egnet til 400 × 500 mm plattform. Rulles til langsiden av plattformen
30253329	Rullebane 500 × 650 mm / 19,7" × 25,6" rustfritt stål	Egnet til 500 × 650 mm plattform. Rulles til langsiden av plattformen
30253331	Rullebane 600 × 800 mm / 23,6" × 31,5" rustfritt stål	Egnet til 600 × 800 mm plattform. Rulles til kortsiden av plattformen

Brakett til frontmontering

Artikkel #	Betegnelse	Beskrivelse
30676290	Brakett til frontmontering	Egnet til ICS4_9 frontmontering
30676291	Brakett til frontmontering	Egnet til ICS689 frontmontering

Skjøteledning til lastcelle

Artikkel #	Betegnelse	Beskrivelse
22023696	Skjøteledning, 3 m, 2 M1-plugger	Skjøteledninger til lastcelle for PBD659-plattformer
30024759	Skjøteledning, 10 m, 2 M1-plugger	Skjøteledninger til lastcelle for PBD659-plattformer

SICSpro til IDNet-konverter

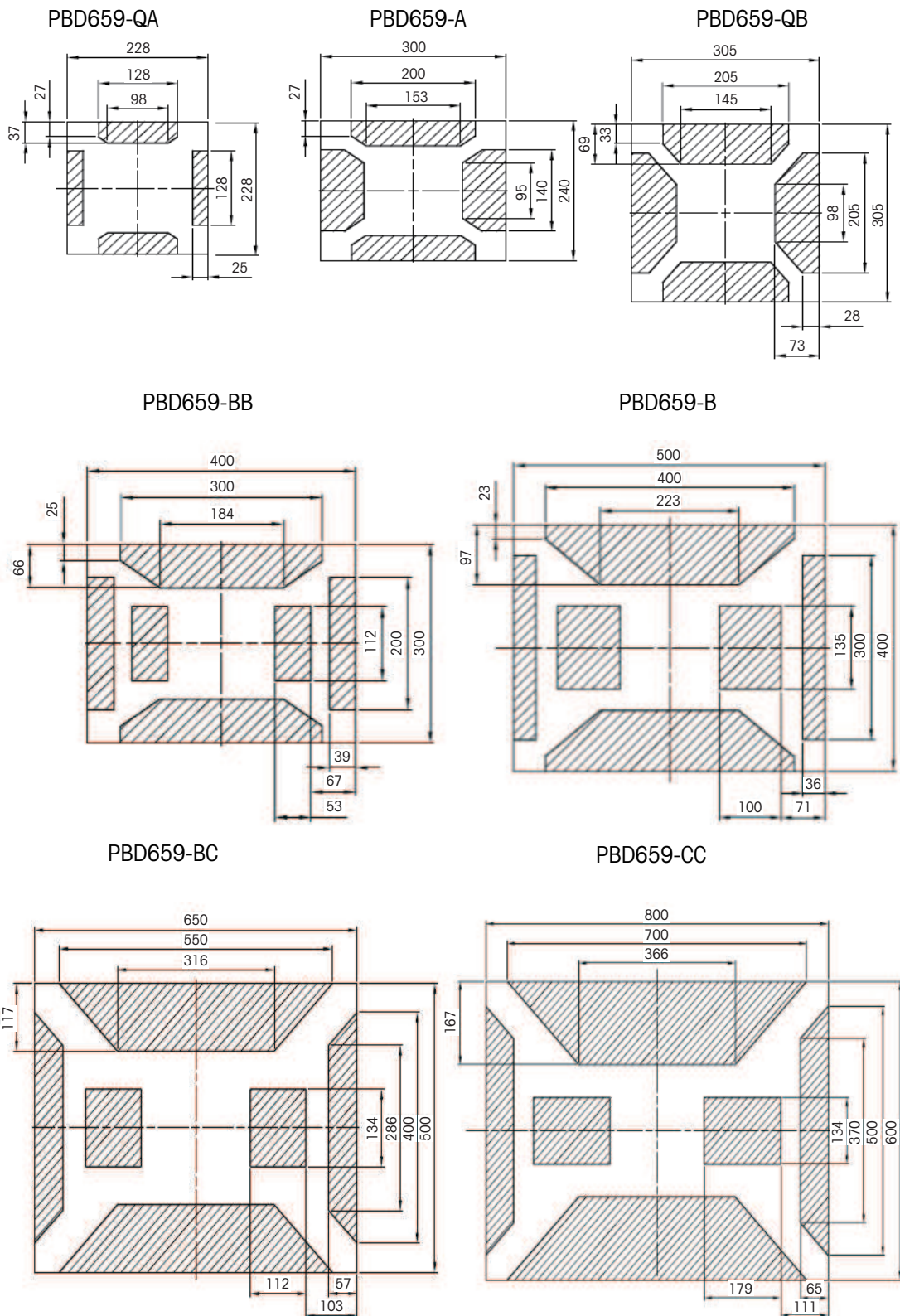
Artikkel #	Betegnelse	Beskrivelse
22026963	ACC409	Adapter for konvertering av SICSPro-signal til IDNet

6 Monteringsalternativer

PBD659 støtter montering på stabil enhet. Hvis det kreves boring på veieplattformen, må boremønstret under følges.

MERK: Boring er tillatt på de skraverte feltene på veieplattformen.

Målt i [mm]



To protect your product's future:

METTLER TOLEDO Service assures the quality, measuring accuracy and preservation of value of this product for years to come.

Please request full details about our attractive terms of service.

► www.mt.com/service

www.mt.com

For more information

Mettler-Toledo GmbH

Im Langacher 44
8606 Greifensee, Switzerland
www.mt.com/contacts

Subject to technical changes.
© 09/2022 METTLER TOLEDO. All rights reserved.
30704774D



30704774