

M300 Multi-Parameter Transmitter Series for pH/ORP, Dissolved Oxygen, Conductivity and Ozone

Versatile and user-friendly for a wide range of applications and industries

Technical Data



Short description

The multi-parameter M300 Water and M300 Process transmitter series for pH/ORP, dissolved oxygen, conductivity and ozone measurements offers exceptional measurement performance as well as excellent user ergonomics.

The high contrast black and white touch-screen together with the harmonized menu structure for all parameters, facilitates navigation and ensures easy and user-friendly operation. Online diagnostics information allows you to schedule sensor maintenance or replacement. The clearly visible diagnostic information lets you know when it is time to do maintenance or calibration of sensors equipped with Intelligent Sensor Management (ISM®) technology. The integrated USB interface allows you to use it for data logging or to store the configuration on a USB stick.



Features

- Black and white 4" touch-screen as an intuitive user interface
- Multi-parameter measurement
- Water or Process model with mixed-mode inputs (analog or ISM® sensors accepted)
- Conductivity/Resistivity model (analog sensors accepted)
- 1-channel and 2-channel versions (¼ DIN and ½ DIN)
- Two or four 0/4 to 20 mA current outputs, galvanically isolated
- Full ISM diagnostics, incl. iMonitor
- Graphic trending
- PID process controller
- 4-wire installation
- Four configurable relays
- USB interface for printer connection, data logging ¹⁾, loading and saving configuration ¹⁾
- USB interface for software updates
- IP 65 rating for ½ DIN versions
- 10 languages: English, German, French, Italian, Spanish, Portuguese, Russian, Japanese, Korean and Chinese

1) In preparation

ISM®



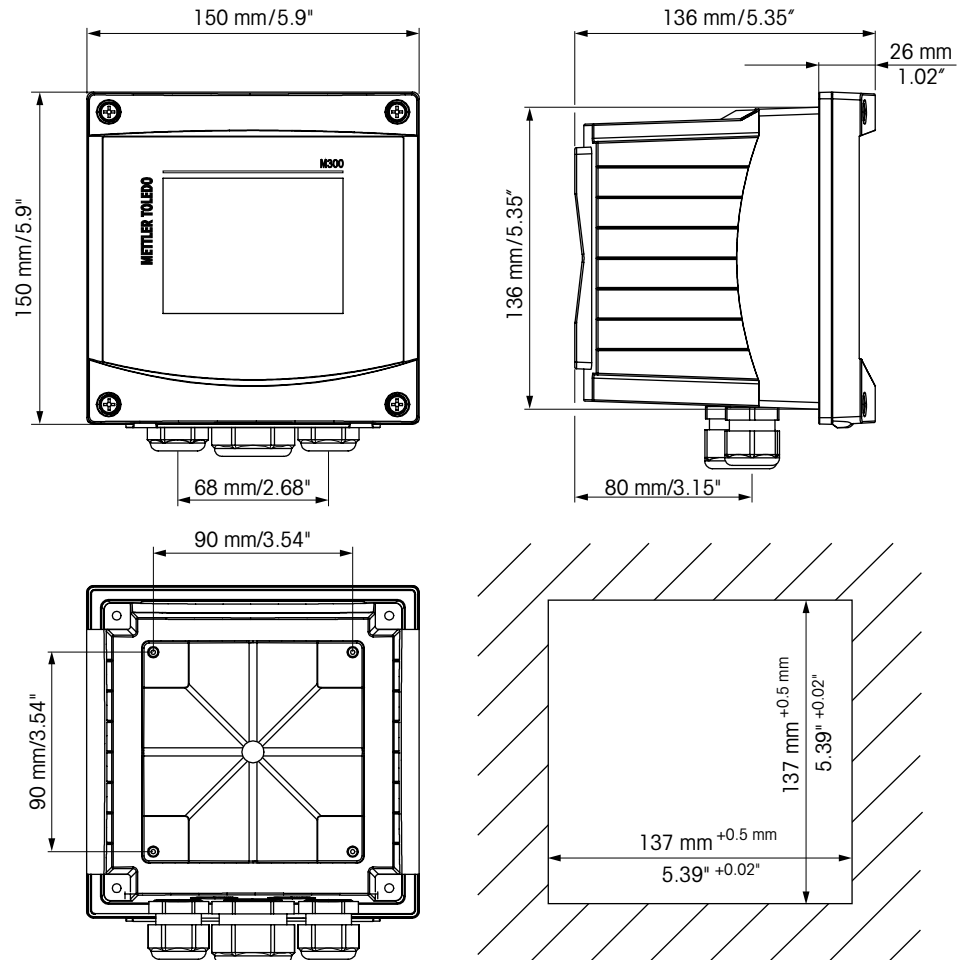
Contents

Dimensions and installation drawings	2
Specifications	4
Terminal block definitions	7
Ordering information	11

METTLER TOLEDO

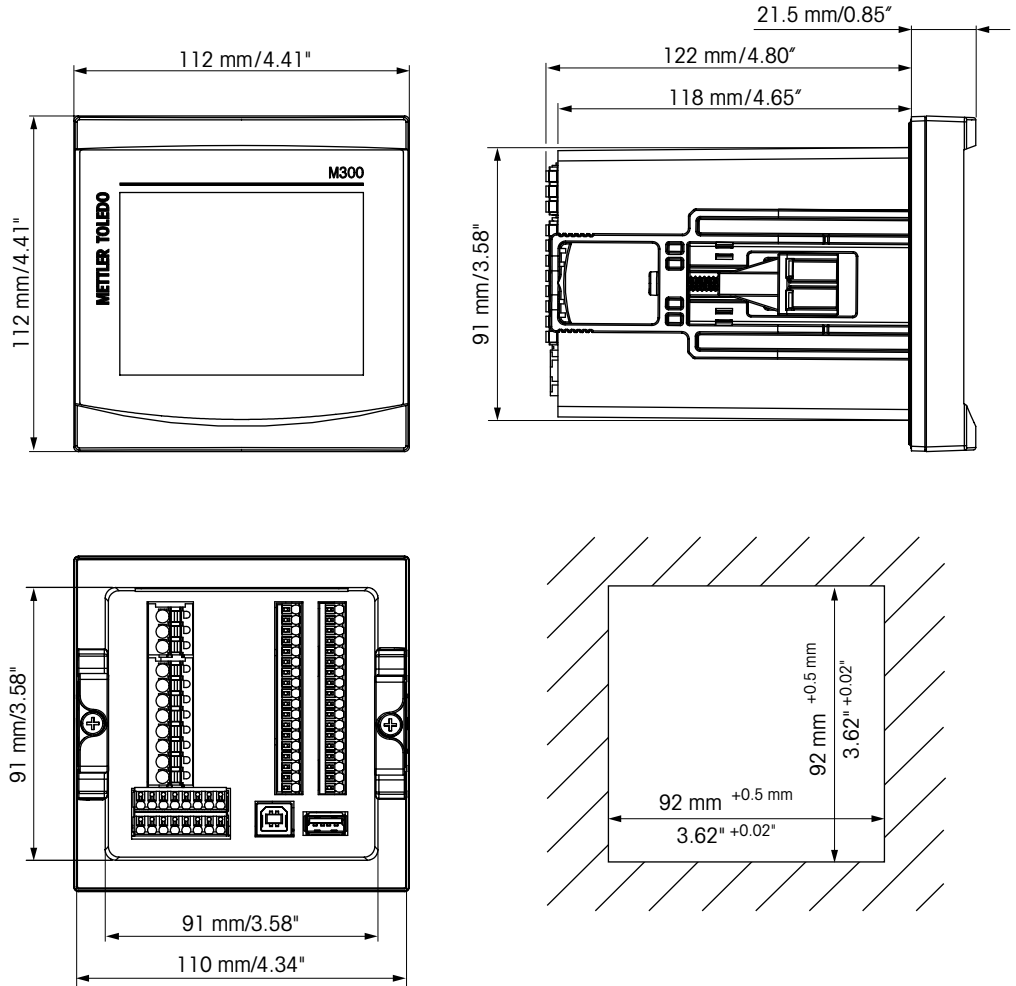
½ DIN versions

The ½ DIN versions are suitable for panel, wall and pipe mounting. For accessories refer to "Accessories" on page 11 .



¼ DIN versions

The ¼ DIN versions are suitable for panel mounting.



pH/ORP (incl. pH/pNa)

Measurement parameters	pH, mV and temperature
pH display range	-2.00 to +16.00 pH
pH resolution	Auto/0.001/0.01/0.1/1 (can be selected)
pH accuracy ¹⁾	Analog: ±0.02 pH
mV range	-1500 to +1500 mV
mV resolution	Auto/0.001/0.01/0.1/1 mV (can be selected)
mV accuracy ¹⁾	Analog: ±1 mV
Temperature input ²⁾	Pt1000/Pt100/NTC22k
Temperature measuring range	-30 to +130 °C (-22 to +266 °F)
Temperature resolution	Auto/0.001/0.01/0.1/1 (can be selected)
Temperature accuracy ¹⁾	Analog: ±0.25 °C (±0.45 °F)
Temperature compensation	Automatic/Manual
Max. sensor cable length	<ul style="list-style-type: none"> • Analog: 10 to 20 m (33 to 65 ft) depending on sensor • ISM: 80 m (260 ft)
Calibration	1-point, 2-point or process

1) ISM input signal causes no additional error.
 2) Not required on ISM sensors

Amperometric oxygen

Measurement parameters	Dissolved oxygen (DO): Saturation or concentration and temperature
Measuring current range	Analog: 0 to -7000 nA
DO display ranges	<ul style="list-style-type: none"> • Saturation: 0 to 500 % air, 0 to 200 % O₂ sat • Concentration: 0 ppb (µg/L) to 50.00 ppm (mg/L)
DO accuracy ¹⁾	<ul style="list-style-type: none"> • Saturation: ±0.5 % of the measured value or ±0.5 %, depending on which is larger • Concentration at high values: ±0.5 % of the measured value or ±0.050 ppm/±0.050 mg/L, depending on which is larger • Concentration at low values: ±0.5 % of the measured value or ±0.001 ppm/±0.001 mg/L, depending on which is larger • Concentration at traces values: ±0.5 % of the measured value or ±0.100 ppb/±0.1 µg/L, depending on which is larger
DO resolution	Auto/0.001/0.01/0.1/1 (can be selected)
Polarization voltage	<ul style="list-style-type: none"> • Analog O₂ High: Cal/Meas: -675 mV (not configurable) • Analog O₂ Low: Cal: -675 mV, Meas: -500 mV (not configurable)
Temperature input	Pt1000/Pt100/NTC22k
Temperature compensation	Automatic
Temperature measuring range	-10 to +80 °C (+14 to +176 °F)
Temperature resolution	Auto/0.001/0.01/0.1/1 °C (°F) (can be selected)
Temperature accuracy ¹⁾	±0.25 °C (±0.45 °F)
Max. sensor cable length	<ul style="list-style-type: none"> • Analog: 20 m (65 ft) • ISM: 80 m (260 ft)
Calibration	1-point (slope and offset) or process (slope and offset)

1) ISM input signal causes no additional error.

Dissolved ozone

Measurement parameters	Concentration and temperature
Display range for current	Analog: 0 to –7000 nA
Ozone measuring range	<ul style="list-style-type: none"> • Short term: 0 to 5.00 ppm (mg/L) O₃ • Continuous: 0 to 500 ppb (µg/L) O₃
Ozone accuracy ¹⁾	Analog: ±0.5 % of reading or ±5 ppb
Resolution	± 1 digit
Temperature compensation	Automatic
Temperature measuring range	0 to +50 °C (+32 to +122 °F)
Temperature resolution	Auto/0.001/0.01/0.1/1 (can be selected)
Temperature accuracy ¹⁾	Analog: ±0.25 °C (±0.45 °F)
Max. sensor cable length	80 m
Calibration	1-point (offset) or process (slope and offset)

1) ISM input signal causes no additional error.

Conductivity 2-e/4-e

Measurement parameters	Conductivity/resistivity and temperature
Conductivity ranges	See sensor specification
Chemical concentration curves (used with 4-e sensors)	NaCl: 0–26 % @ 0 °C to 0–28 % @ +100 °C NaOH: 0–12 % @ 0 °C to 0–16 % @ +40 °C to 0–6 % @ +100 °C HCl: 0–18 % @ –20 °C to 0–18 % @ 0 °C to 0–5 % @ +50 °C HNO ₃ : 0–30 % @ –20 °C to 0–30 % @ 0 °C to 0–8 % @ +50 °C H ₂ SO ₄ : 0–26 % @ –12 °C to 0–26 % @ +5 °C to 0–9 % @ +100 °C H ₃ PO ₄ : 0–35 % @ +5 °C to +80 °C
TDS ranges	NaCl, CaCO ₃
Cond/Res accuracy ¹⁾	Analog: ±0.5 % of reading or 0.25 Ω
Cond/Res repeatability ¹⁾	Analog: ±0.25% of reading or 0.25 Ω
Cond/Res resolution	Auto/0.001/0.01/0.1/1 (can be selected)
Temperature input	Pt1000
Temperature measuring range	–40 to +200 °C (–40 to +392 °F)
Temperature resolution	Auto/0.001/0.01/0.1/1 (can be selected)
Temperature accuracy	Analog: ±0.25 °C (±0.45 °F) within –30 to +150 °C (–22 to +302 °F); ±0.50 °C (±0.90 °F) outside
Max. sensor cable length	<ul style="list-style-type: none"> • Analog: 2-e sensors: 61 m (200 ft); 4-e sensors: 15 m (50 ft) • ISM: 2-e sensors: 90 m (300 ft); 4-e sensors: 80 m (260 ft)
Calibration	1-point, 2-point or process

1) ISM input signal causes no additional error.

Electrical specifications

Supply voltage	<ul style="list-style-type: none"> • 80 to 255 V AC, 50 to 60 Hz, 10 VA • 20 to 30 V DC, 10 VA
Connection terminal	Detachable screw terminals, appropriate for wire cross section 0.2 to 1.5 mm ² (AWG 16–24)
Mains fuse	2.0 A slow blow, type FC
Analog outputs	<ul style="list-style-type: none"> • 4 for 2-channel versions • 2 for 1-channel versions
Analog output signals	0/4 to 20 mA, 22 mA alarm, galvanically isolated from input and from earth/ground
Measurement error through analog outputs	<±0.05 mA over 1 to 22 mA range
Analog output configuration	Linear, Bi-linear, Logarithmic, Auto range
Load	Max. 500 Ω
PID process controller	PID with pulse length, pulse frequency or analog control output signal
Cycle time analog output	Ca. 1 s
Hold input/Alarm contact	Yes/Yes
Alarm output delay	0 to 999 s, selectable
Relays	<ul style="list-style-type: none"> • 2 SPST, mechanical, 250 V AC or 30 V DC, 3 A • 2 SPST, Reed, 250 V AC or 250 V DC, 0.5 A, 10 W
Digital input	<ul style="list-style-type: none"> • 2 for 2-channel versions • 1 for 1-channel versions <p>With switching limits 0.00 V DC to 1.00 V DC inactive, 2.30 V DC to 30.00 V DC active; galvanically isolated up to 60 V from output, analog input and ground/earth</p>
User interface	<ul style="list-style-type: none"> • TFT touch-screen 4" • Black and white • Resolution: ¼ VGA (320 pixel × 240 pixel)
Languages	10 (English, German, French, Italian, Spanish, Portuguese, Russian, Japanese, Korean and Chinese)
Interfaces	<ul style="list-style-type: none"> • 1 USB Host: Printer connection, data logging ¹⁾, loading configuration from USB stick and saving configuration to USB stick ¹⁾ • 1 USB Device: Software update interface

1) In preparation

Environmental specifications

Storage temperature	–40 to +70 °C (–40 to +158 °F)
Ambient temperature ≠ operating range	–10 to +50 °C (+14 to +122 °F)
Relative humidity	0 to 95 % non-condensing
Altitude	Max. 2000 m
EMC	Compliant with EN 61326-1:2013 (Industrial environment) Emission: Class A, Immunity: Class A
UL	Installation (overvoltage) Category II
CE mark	The measuring system is in conformity with the statutory requirements of the EC Directives. METTLER TOLEDO confirms successful testing of the device by affixing to it the CE mark.

Mechanical specifications

½ DIN version

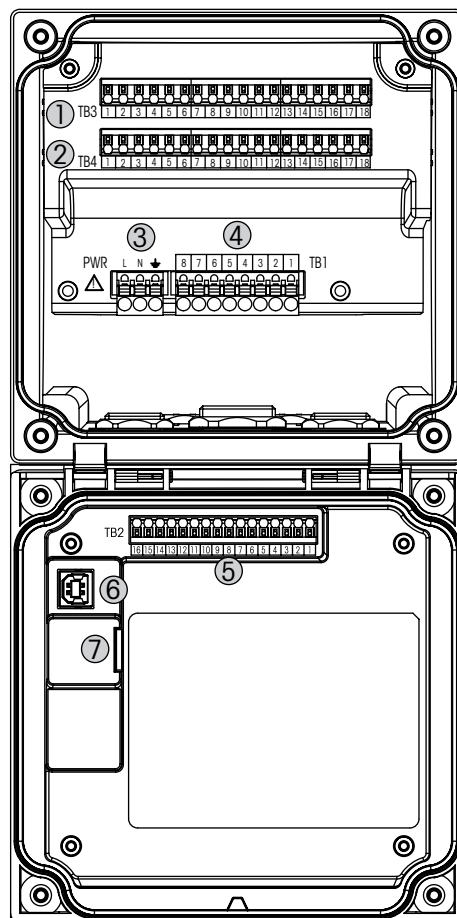
Dimensions	Housing – Height × Width × Depth	136 × 136 × 116 mm (5.35 × 5.35 × 4.57")
	Front bezel – Height x Width	150 × 150 mm (5.91 × 5.91")
	Max. depth – panel mounted	116 mm (4.57") (excludes plug-in connectors)
Weight	0.95 kg (2 lb)	
Material	ABS/Polycarbonate	
Enclosure rating	IP 65	

¼ DIN version

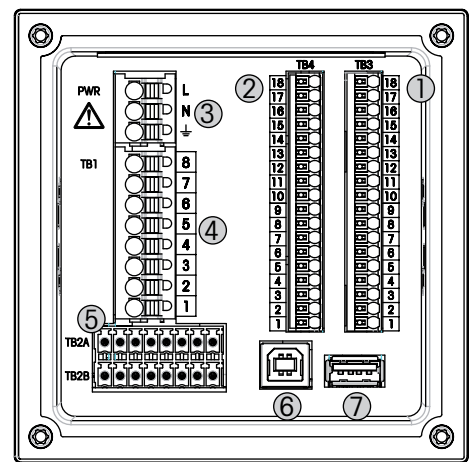
Dimensions	Housing – Height × Width × Depth	91 × 91 × 122 mm (3.58 × 3.58 × 4.80")
	Front bezel – Height × Width	112 × 112 mm (4.41 × 4.41")
	Max. depth – panel mounted	122 mm (4.80") (excludes plug-in connectors)
Weight	0.6 kg (1.5 lb)	
Material	ABS/Polycarbonate	
Enclosure rating	IP 65 (front)/IP 20 (rear)	

Terminal block (TB) definitions

½ DIN housing



¼ DIN housing



- 1 TB3 – Terminal block for sensor connection
- 2 TB4 – Terminal block for sensor connection, for 2-channel versions only
- 3 Terminals for supply voltage
- 4 TB1 – Terminal block for relay outputs
- 5 TB2 (TB2A, TB2B) – Terminal block for analog output and digital input signals
- 6 USB Device – Software update interface
- 7 USB Host – Printer connection, data logging ¹⁾, loading and saving configuration ¹⁾

¹⁾ In preparation

TB1 terminal definition – All transmitter versions

Terminal	Description	Contact rating
1	NC1	250 V AC or 30 V DC, 3 A
2	COM1	
3	NO2	250 V AC or 30 V DC, 3 A
4	COM2	
5	NO3	250 V AC or DC, 0.5 A, 10 W
6	COM3	
7	NO4	250 V AC or DC, 0.5 A, 10 W
8	COM4	

TB2, TB2A and TB2B terminal definition – 2-channel versions

TB2 – ½ DIN version		TB2A – ¼ DIN version		TB2B – ¼ DIN version	
Terminal	Description	Terminal	Description	Terminal	Description
1	A01+	1	A01+	1	A01–
2	A01–	2	A02+	2	A02–
3	A02+	3	A03+	3	A03–
4	A02–	4	A04+	4	A04–
5	A03+	5	DI1+	5	DI1–
6	A03–	6	DI2+	6	DI2–
7	A04+	7	Not used	7	Not used
8	A04–	8	Not used	8	Not used
9	DI1+				
10	DI1–/DI2–				
11	DI2+				
12 to 16	Not used				

TB2, TB2A and TB2B terminal definition – 1-channel versions

TB2 – ½ DIN version		TB2A – ¼ DIN version		TB2B – ¼ DIN version	
Terminal	Description	Terminal	Description	Terminal	Description
1	A01+	1	A01+	1	A01–
2	A01–	2	A02+	2	A02–
3	A02+	3	Not used	3	Not used
4	A02–	4	Not used	4	Not used
5	Not used	5	DI1+	5	DI1–
6	Not used	6	Not used	6	Not used
7	Not used	7	Not used	7	Not used
8	Not used	8	Not used	8	Not used
9	DI1+				
10	DI1–				
11 to 16	Not used				

TB3 and TB4 terminal definition – Analog sensors

TB4 terminal for 2-channel versions only

Conductivity 2-e/4-e

Terminal	Function	Color
1	Cnd inner1 ¹⁾	White
2	Cnd outer1 ¹⁾	White/blue
3	Cnd outer1	–
4	Not used	–
5	Cnd outer2	–
6	Cnd inner2 ²⁾	Blue
7	Cnd outer2 (GND) ²⁾	Black
8	Not used	–
9	RTD ret/GND	Bare shield
10	RTD sense	Red
11	RTD	Green
12 to 18	Not used	–

1) For third party Conductivity 2-e sensors a jumper between 1 and 2 may be required.

2) For third party Conductivity 2-e sensors a jumper between 6 and 7 may be required.

pH/ORP

Terminal	pH		Redox (ORP)	
	Function	Color ¹⁾	Function	Color
1	Glass	Transparent	Platinum	Transparent
2	Not used	–	–	–
3	Not used	–	–	–
4	Not used	–	–	–
5	Reference	Red	Reference	Red
6	Reference ²⁾	–	Reference ²⁾	–
7	Solution GND ²⁾	Blue ³⁾	Solution GND ²⁾	–
8	Not used	–	–	–
9	RTD ret/GND	White	–	–
10	RTD sense	–	–	–
11	RTD	Green	–	–
12	Not used	–	–	–
13	Shield (GND)	Green/yellow	Shield (GND)	Green/yellow
14 to 18	Not used	–	–	–

1) Grey wire not used.

2) Install jumper between 6 and 7 for ORP sensors and pH electrodes without SG.

3) Blue wire for electrode with SG.

TB3 and TB4 terminal definition – Analog sensors (continued)

TB4 terminal for 2-channel versions only

Amperometric oxygen and Ozone

Terminal	Function	Oxygen		Ozone
		InPro 6800	Hi Performance Oxygen	InPro 6510
		Color	Color	Color
1	Not used	–	–	–
2	Anode	Red	Red	Red
3	Anode	–	– 1)	– 1)
4	Reference	–	– 1)	– 1)
5	Not used	–	–	–
6	Not used	–	–	–
7	Guard	–	–	–
8	Cathode	Transparent	Grey	Grey
9	NTC ref (GND)	White	White	White
10	Not used	–	–	–
11	NTC	Green	Green	Green
12	Not used	–	–	–
13	Shield (GND)	Green/yellow	Green/yellow	Green/yellow
14 to 18	Not used	–	–	–

1) Install jumper between 3 and 4 for Hi Performance Oxygen and InPro 6510

TB3 and TB4 terminal definition – ISM sensors

TB4 terminal for 2-channel versions only

pH/ORP, Amperometric oxygen, Dissolved Ozone, Conductivity 4-e

Terminal	Function	Color
1 to 11	Not used	–
12	1-wire	Transparent (cable core)
13	GND	Red (shield)
14	RS485-B	–
15	RS485-A	–
16	5 V	–
17	GND 24 V	–
18	24 V	–

UniCond 2-e, UniCond 4-e

Terminal	Function	Color
1 to 12	Not used	–
13	GND	White
14	RS485-B	Black
15	RS485-A	Red
16	5 V	Blue
17 to 18	Not used	–

Transmitter

Transmitter	Order no.
M300 Process 1-channel, multi-parameter, ¼ DIN	30 280 770
M300 Process 1-channel, multi-parameter, ½ DIN ¹⁾	30 280 771
M300 Process 2-channel, multi-parameter, ¼ DIN	30 280 772
M300 Process 2-channel, multi-parameter, ½ DIN ¹⁾	30 280 773
M300 Water 1-channel, multi-parameter, ¼ DIN	30 280 776
M300 Water 1-channel, multi-parameter, ½ DIN ¹⁾	30 280 777
M300 Water 2-channel, multi-parameter, ¼ DIN	30 280 778
M300 Water 2-channel, multi-parameter, ½ DIN ¹⁾	30 280 779
M300 Water Cond/Res 2-channel, ¼ DIN	30 280 774
M300 Water Cond/Res 2-channel, ½ DIN ¹⁾	30 280 775

1) Included with ½ DIN versions: 1 piece M25 x 1.5 cable gland, 4 pieces M20 x 1.5 cable glands

M300 parameter fit guide

	M300 Process		M300 Water ¹⁾		M300 Water Cond/Res	
	Analog	ISM	Analog	ISM	Analog	ISM
pH/ORP	•	•	•	•	–	–
pH/pNa	–	•	–	•	–	–
UniCond 2-e	–	•	–	•	–	–
UniCond 4-e	–	•	–	•	–	–
Conductivity 2-e	•	–	•	–	•	–
Conductivity 4-e	•	•	•	•	•	–
Amp. Dissolved oxygen ppm/ppb	•/• ²⁾	•	–/• ²⁾	–/•	–	–
Dissolved Ozone	•	•	•	•	–	–

1) Measured values at temperatures higher than 100 °C (212 °F) are not displayed.

2) THORNTON High performance dissolved oxygen sensor only

Accessories

Description	Order no.
Pipe mounting kit for ½ DIN for pipe diameter 40 to 60 mm (1.57" to 2.36")	30 300 480
Panel mounting kit for ½ DIN	30 300 481
Wall mounting kit for ½ DIN	30 300 482
Protective hood for ½ DIN	30 073 328

METTLER TOLEDO Market Organizations

Sales and Service:

Australia

Mettler-Toledo Limited
220 Turner Street
Port Melbourne, VIC 3207
Australia
Phone +61 1300 659 761
e-mail info.mtaus@mt.com

Austria

Mettler-Toledo Ges.m.b.H.
Laxenburger Str. 252/2
AT-1230 Wien
Phone +43 1 607 4356
e-mail prozess@mt.com

Brazil

Mettler-Toledo Ind. e Com. Ltda.
Avenida Tamboré, 418
Tamboré
BR-06460-000 Barueri/SP
Phone +55 11 4166 7400
e-mail mtbr@mt.com

Canada

Mettler-Toledo Inc.
2915 Argentia Rd #6
CA-ON L5N 8G6 Mississauga
Phone +1 800 638 8537
e-mail ProlnsideSalesCA@mt.com

China

Mettler-Toledo International Trading
(Shanghai) Co. Ltd.
589 Gui Ping Road
Cao He Jing
CN-200233 Shanghai
Phone +86 21 64 85 04 35
e-mail ad@mt.com

Croatia

Mettler-Toledo d.o.o.
Mandlova 3
HR-10000 Zagreb
Phone +385 1 292 06 33
e-mail mt.zagreb@mt.com

Czech Republic

Mettler-Toledo s.r.o.
Trebohosticka 2283/2
CZ-100 00 Praha 10
Phone +420 2 72 123 150
e-mail sales.mtcz@mt.com

Denmark

Mettler-Toledo A/S
Naverland 8
DK-2600 Glostrup
Phone +45 43 27 08 00
e-mail info.mtdk@mt.com

France

Mettler-Toledo
Analyse Industrielle S.A.S.
30, Boulevard de Douaumont
FR-75017 Paris
Phone +33 1 47 37 06 00
e-mail mtpro-f@mt.com

Germany

Mettler-Toledo GmbH
Prozeßanalytik
Ockerweg 3
DE-35396 Gießen
Phone +49 641 507 444
e-mail prozess@mt.com

Great Britain

Mettler-Toledo LTD
64 Boston Road, Beaumont Leys
GB-Leicester LE4 1AW
Phone +44 116 235 7070
e-mail enquire.mtuk@mt.com

Hungary

Mettler-Toledo Kereskedelmi KFT
Teve u. 41
HU-1139 Budapest
Phone +36 1 288 40 40
e-mail mthu@axelero.hu

India

Mettler-Toledo India Private Limited
Amar Hill, Saki Vihar Road
Powai
IN-400 072 Mumbai
Phone +91 22 2857 0808
e-mail sales.mtin@mt.com

Indonesia

PT. Mettler-Toledo Indonesia
GRHA PERSADA 3rd Floor
Jl. KH. Noer Ali No.3A,
Kayuringin Jaya
Kalimalang, Bekasi 17144, ID
Phone +62 21 294 53919
e-mail
mt-id.customersupport@mt.com

Italy

Mettler-Toledo S.p.A.
Via Vialba 42
IT-20026 Novate Milanese
Phone +39 02 333 321
e-mail
customercare.italia@mt.com

Japan

Mettler-Toledo K.K.
Process Division
6F Ikenohata Nisshoku Bldg.
2-9-7, Ikenohata
Taito-ku
JP-110-0008 Tokyo
Phone +81 3 5815 5606
e-mail helpdesk.ing.jp@mt.com

Malaysia

Mettler-Toledo (M) Sdn Bhd
Bangunan Electroscon Holding, U 1-01
Lot 8 Jalan Astaka U8/84
Seksyen U8, Bukit Jelutong
MY-40150 Shah Alam Selangor
Phone +60 3 78 44 58 88
e-mail
MT-MY.CustomerSupport@mt.com

Mexico

Mettler-Toledo S.A. de C.V.
Ejército Nacional #340
Polanco V Sección
C.P. 11560
MX-México D.F.
Phone +52 55 1946 0900
e-mail mt.mexico@mt.com

Norway

Mettler-Toledo AS
Ulvenveien 92B
NO-0581 Oslo Norway
Phone +47 22 30 44 90
e-mail info.mtn@mt.com

Poland

Mettler-Toledo (Poland) Sp.z.o.o.
ul. Poleczki 21
PL-02-822 Warszawa
Phone +48 22 545 06 80
e-mail polska@mt.com

Russia

Mettler-Toledo Vostok ZAO
Sretenskij Bulvar 6/1
Office 6
RU-101000 Moscow
Phone +7 495 621 56 66
e-mail inforus@mt.com

Singapore

Mettler-Toledo (S) Pte. Ltd.
Block 28
Ayer Rajah Crescent #05-01
SG-139959 Singapore
Phone +65 6890 00 11
e-mail
mt.sg.customersupport@mt.com

Slovakia

Mettler-Toledo s.r.o.
Hattalova 12/A
SK-831 03 Bratislava
Phone +421 2 4444 12 20-2
e-mail predaj@mt.com

Slovenia

Mettler-Toledo d.o.o.
Pot heroja Trtnika 26
SI-1261 Ljubljana-Dobrunje
Phone +386 1 530 80 50
e-mail keith.racman@mt.com

South Korea

Mettler-Toledo (Korea) Ltd.
1 & 4 F, Yeil Building 21
Yangjaecheon-ro 19-gil
SeoCho-Gu
Seoul 06753 Korea
Phone +82 2 3498 3500
e-mail Sales_MTKR@mt.com

Spain

Mettler-Toledo S.A.E.
C/Miguel Hernández, 69-71
ES-08908 L'Hospitalet de Llobregat
(Barcelona)
Phone +34 902 32 00 23
e-mail mtemkt@mt.com

Sweden

Mettler-Toledo AB
Virkesvägen 10
Box 92161
SE-12008 Stockholm
Phone +46 8 702 50 00
e-mail sales.mts@mt.com

Switzerland

Mettler-Toledo (Schweiz) GmbH
Im Langacher, Postfach
CH-8606 Greifensee
Phone +41 44 944 47 60
e-mail ProSupport.ch@mt.com

Thailand

Mettler-Toledo (Thailand) Ltd.
272 Soi Soonvijai 4
Rama 9 Rd., Bangkokpi
Huay Kwang
TH-10320 Bangkok
Phone +66 2 723 03 00
e-mail
MT-TH.CustomerSupport@mt.com

Turkey

Mettler-Toledo Türkiye
Haluk Türksoy Sokak No: 6 Zemin ve 1.
Bodrum Kat 34662 Üsküdar-İstanbul, TR
Phone +90 216 400 20 20
e-mail sales.mtrtr@mt.com

USA

METTLER TOLEDO
Process Analytics
900 Middlesex Turnpike, Bld. 8
Billerica, MA 01821, USA
Phone +1 781 301 8800
Freephone +1 800 352 8763
e-mail mtprous@mt.com

Vietnam

Mettler-Toledo (Vietnam) LLC
29A Hoang Hoa Tham Street, Ward 6
Binh Thanh District
Ho Chi Minh City, Vietnam
Phone +84 8 35515924
e-mail
MT-VN.CustomerSupport@mt.com



Management System
certified according to
ISO 9001 / ISO 14001

Subject to technical changes.
06/2016. © Mettler-Toledo GmbH
Printed in Switzerland. 30 316 267

Mettler-Toledo GmbH, Process Analytics
Im Hackacker 15, CH - 8902 Urdorf, Switzerland
Phone + 41 44 729 62 11, Fax +41 44 729 66 36

www.mt.com/pro